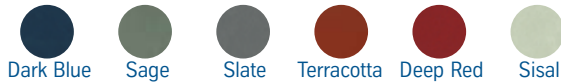


Flow stair lift

Technical specifications

Lifting capacity:	275 lbs. (125 kg)
Operation:	<ul style="list-style-type: none"> – Wireless control unit, joystick operation (also functions as key), choice of 4 types of joystick – Wireless call and park station with push button. – Every unit contains 2 C-cell batteries, radio frequency: 866 MHz, approved
Drive system:	Battery (24V) , rack and pinion drive system
Rail:	Single tube, constant diameter of 3" (8 cm)
Inclination:	-70° up to +70°
Speed:	max. 29 fpm (0.15 m/s)
Technical conformity:	CE approved, ETL and cETL pending
Standard specification:	Wireless call and park station at top and bottom of the stairs, foldable seat and footrest
Main options:	Automatic swivel chair, installation at the inside or outside of the stairs, parking bend or parking place halfway up the stair for 'out of the way' parking of the stair lift, curved armrests for an extra feeling of security, attendant controls
Warranty:	2 years on drivetrain and component parts

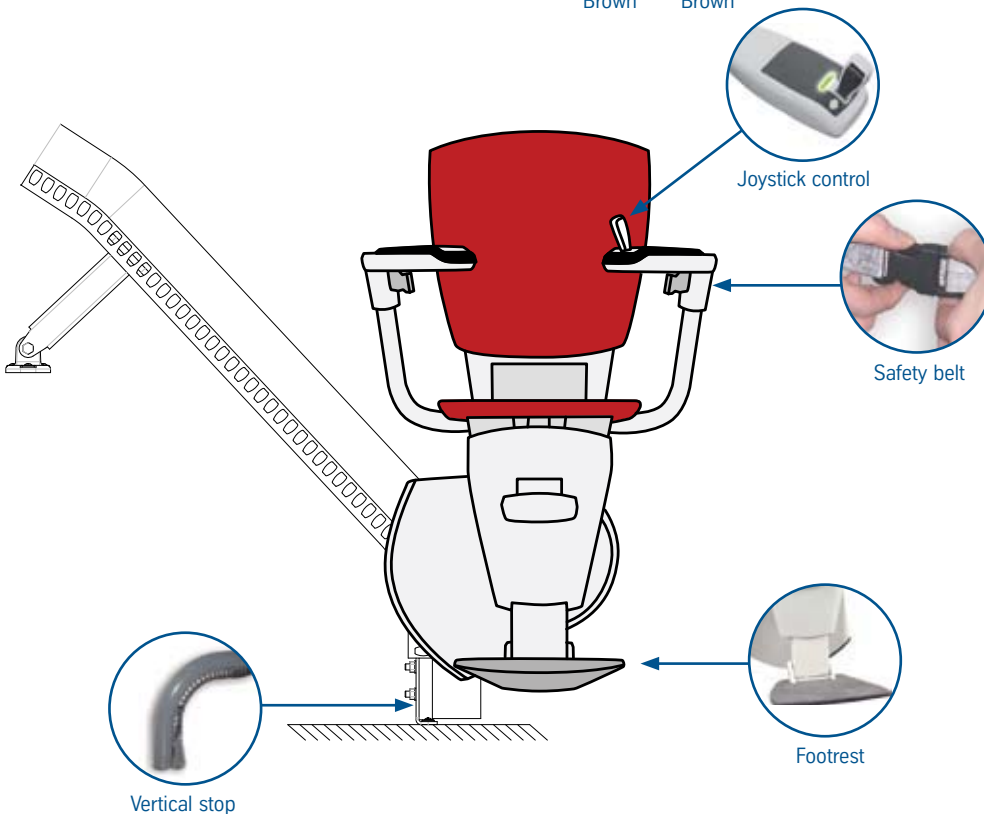
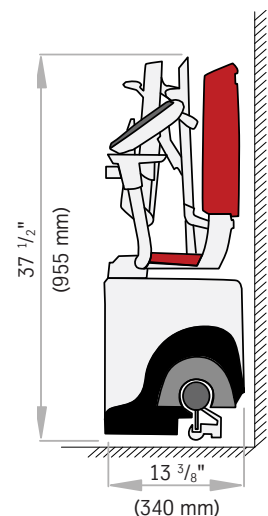
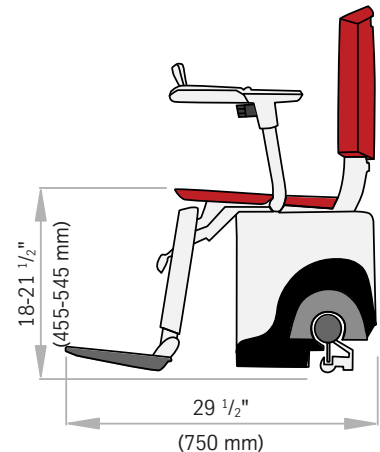
Vinyl upholstery colors:



Fabric upholstery colors:



Rail colors:



* Shown colors are an indication of the real colors and can look slightly different in reality.