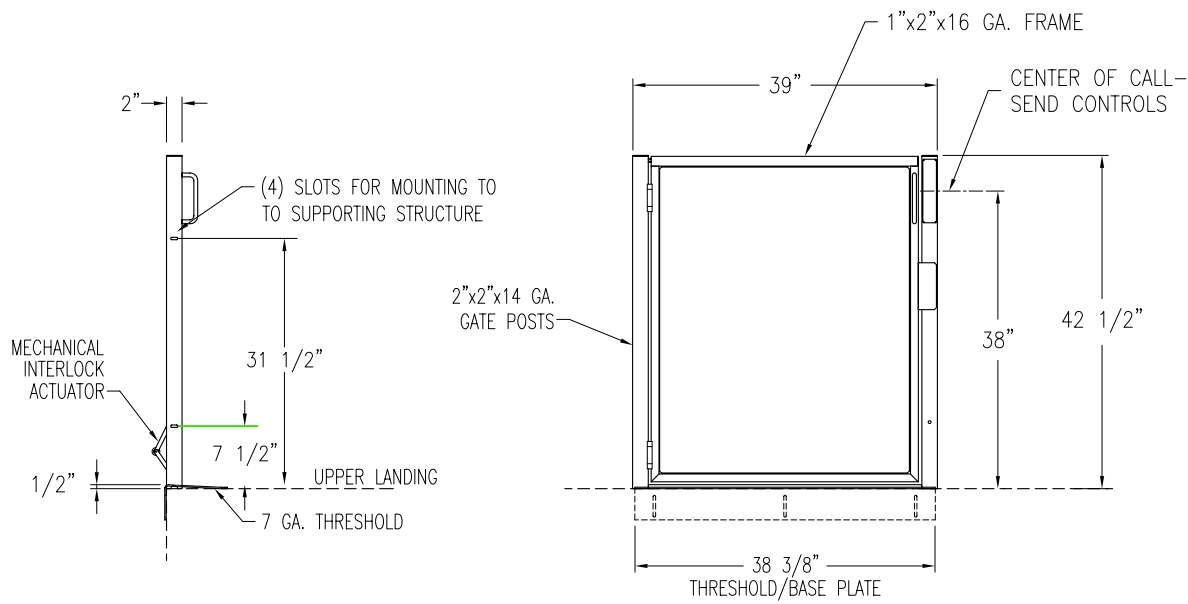



PLAN VIEW



SIDE VIEW

FRONT VIEW

GATE OPTIONS
<input type="checkbox"/> 22 GA. STEEL DOOR PANEL
<input type="checkbox"/> CLEAR ACRYLIC DOOR PANEL
<input type="checkbox"/> BRONZE TINTED ACRYLIC DOOR PANEL
<input type="checkbox"/> CALL/SEND CONTROLS MOUNTED IN GATE POST
<input type="checkbox"/> AUTOMATIC OPENER/CLOSER

<b>ThyssenKrupp Access</b> 	MODEL:	
	DEALER:	
<b>ThyssenKrupp</b>	CUSTOMER:	
	JOB or P.O.#:	
<b>PORCH-LIFT</b> VERTICAL PLATFORM LIFT 39" Landing Gate 32" Clear Opening	SCALE:	ORDER NUMBER: GATE-02
	DATE: 10/25/00	