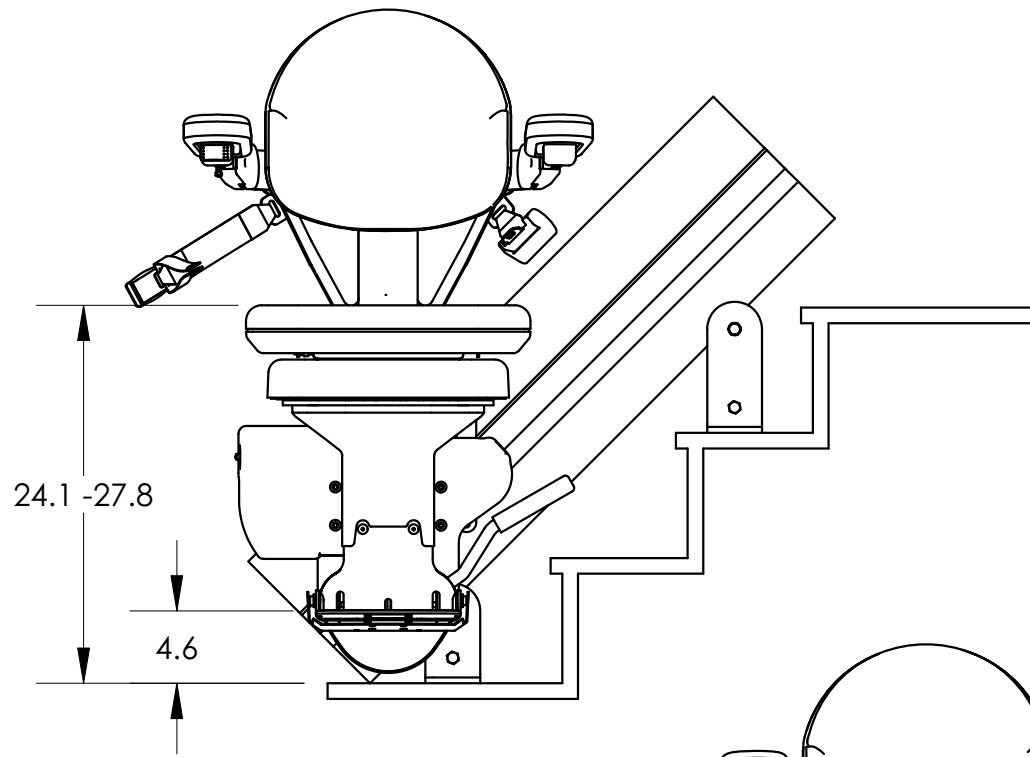
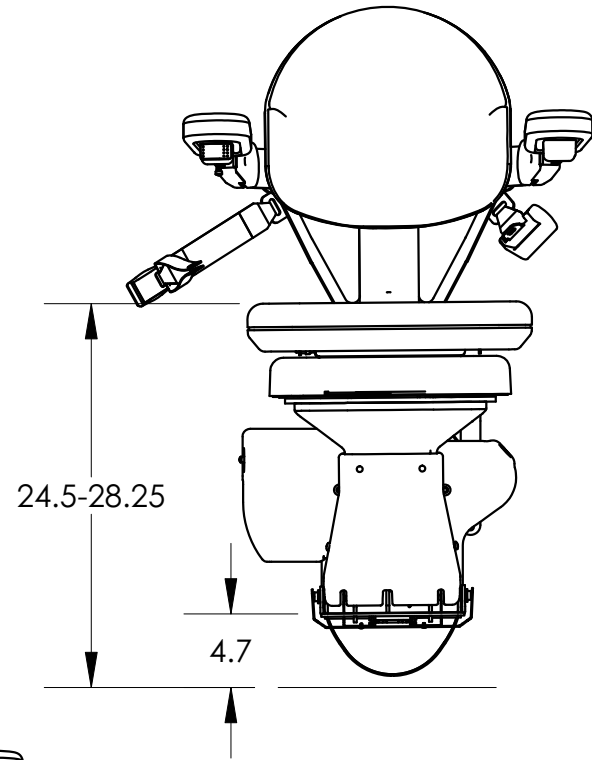


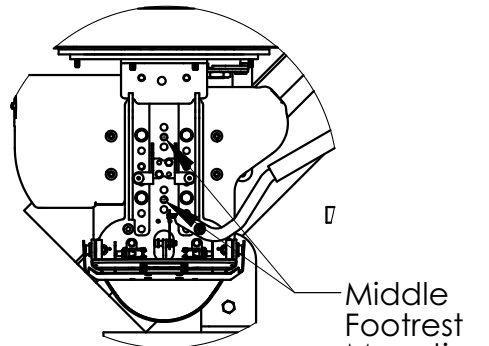
CRE-2110 OPTIONS TECH DRAWING



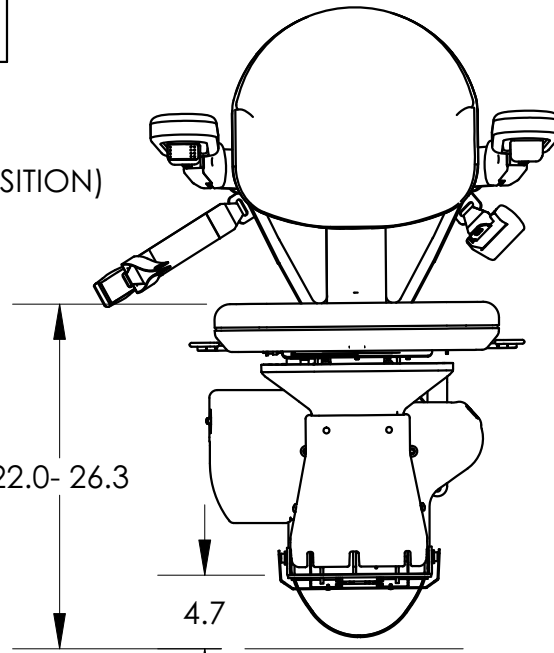
POWER SEAT ONLY
(USES MIDDLE FOOTREST POSITION)
(SEE DETAIL A)



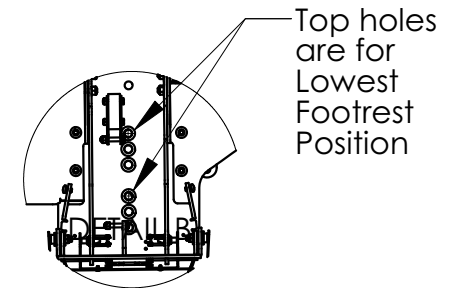
POWER SEAT AND POWER FOOTREST
(USES LOWEST FOOTREST POSITION)
(SEE DETAIL B)



DETAIL A



POWER FOOTREST ONLY
(USES LOWEST FOOTREST POSITION)
(SEE DETAIL B)



DETAIL B

NOTE: HIGHEST SEAT POSITION ACHIEVED BY USING BOTTOM FOOTREST MOUNTING HOLES