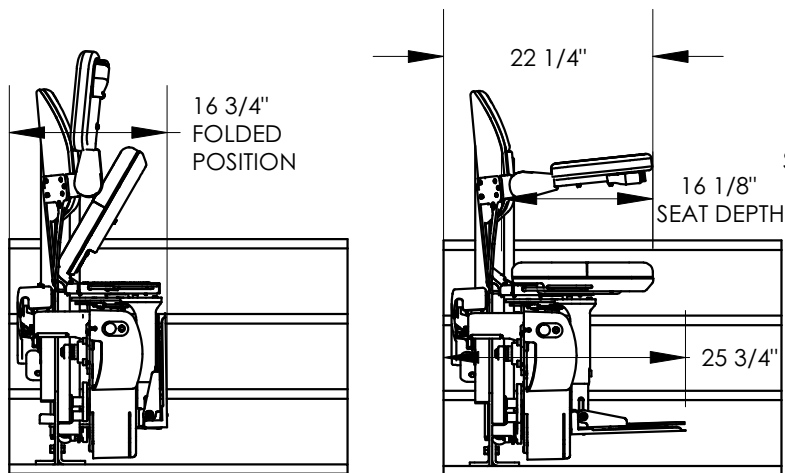


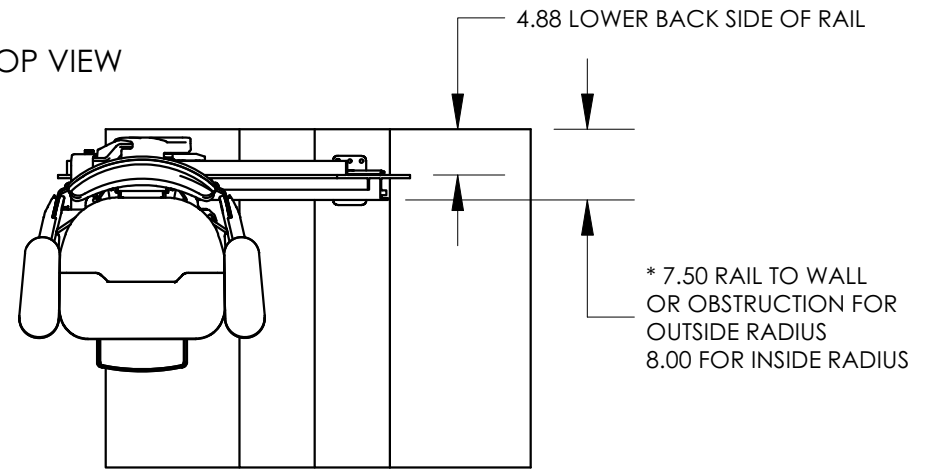
TECHNICAL DATA/SPECIFICATION

MODEL: CRE-21 10 ELECTRA-RIDE III
 RATED LOAD: 400 LBS, ONE PASSENGER
 POWER SOURCE: 24 VOLT DC COMPRISED OF (2) 7 AMP/HR
 12 VOLT SEALED BATTERIES
 110 VOLT AC 1.5 AMP, 24 VOLT DC 2 AMP
 CONTINUOUS MONITORING CHARGER.
 DRIVE: 24 VOLT DC DIRECT DRIVE GEAR-MOTOR, 2 POLE
 RATED .68 HP, 58:1 RIGHT ANGLE SELF LOCKING
 GEARBOX, 41.5 RPM NO LOAD RPM OUTPUT SPEED.
 SUSPENSION: RACK & PINION - INTEGRATED 8DP GEAR RACK
 ON RAIL WITH A SPUR GEAR ON THE OUTPUT
 SHAFT OF THE GEAR BOX.
 BRAKING: DYNAMIC MOTOR BRAKING THROUGH THE MOTOR
 CONTROLLER, SELF LOCKING WORM GEAR, AND
 ELECTRO-MECHANICAL MOTOR BRAKE.
 CONTROLS: CONTINUOUS PRESSURE ROCKER SWITCH LOCATED
 ON THE ARM REST AND WALL MOUNTED CALL/SEND
 CONTROLS LOCATED AT BOTH THE TOP AND BOTTOM
 LANDINGS.
 ANGLES: 0 TO 45 DEGREES (SPECIALS UP TO 50 DEGREES) RIGHT
 OR LEFT HAND ORIENTATIONS.
 FINAL LIMIT SWITCH STANDARD
 OPTIONS:
 1) KEYED CALL/SEND CONTROLS,
 2) KEYED CONTROL ON CHAIR,
 3) COMMERCIAL PACKAGE W/OVERSPEED SAFETY BRAKE.

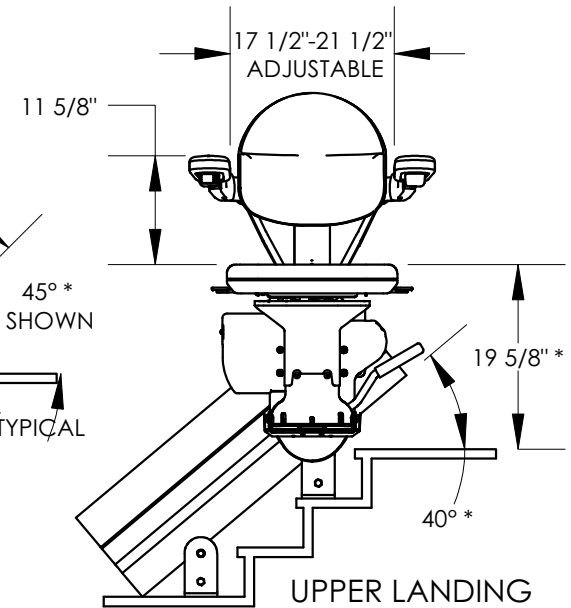
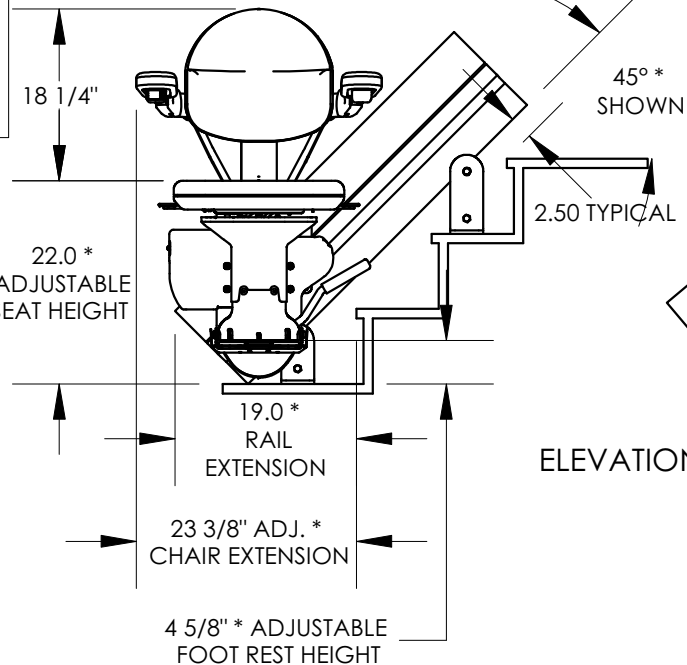


DIMENSIONS ARE BASED ON 7.5" RAIL TO WALL POSITION
 SIDE VIEWS

TOP VIEW



LOWER LANDING



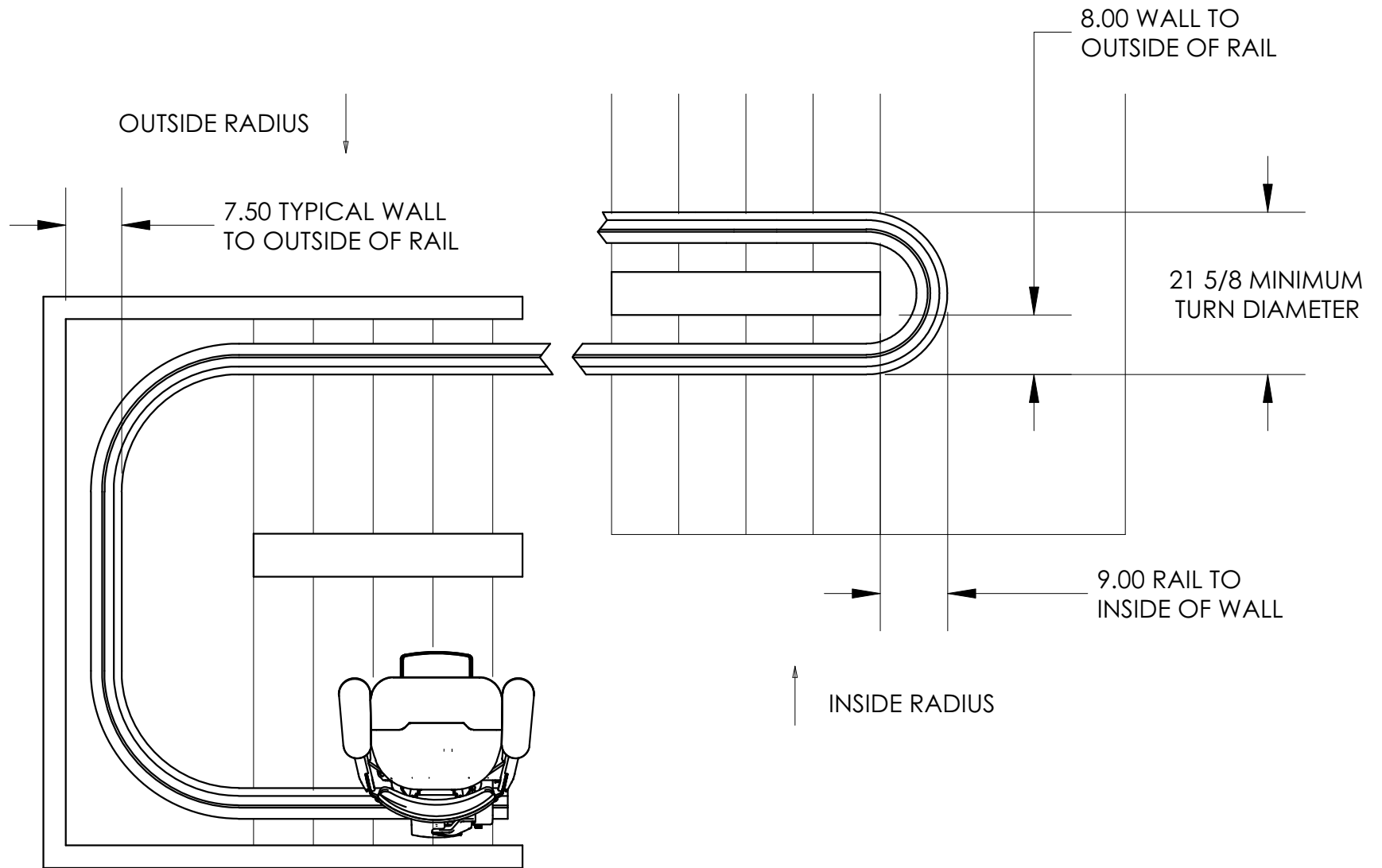
ELEVATION VIEWS

1780 Executive Drive
 P.O. 84
 Oconomowoc, WI 53066
 Tel 800-882-8181
 Fax 262-953-5501
 www.bruno.com

DIMENSIONS WITH * ARE APPROXIMATE.
 THESE DIMENSIONS MAY VARY BASED ON
 THE SLOPE, RISER HEIGHT, AND CUSTOM
 SEAT ADJUSTMENTS MADE FOR THE USER.

ILS-00904
SHEET 1 OF 2
REV. 10-05-09

CRE-2110 TECH DRAWING



ILS-00904
SHEET 2 OF 2
REV 10-05-09