

DRAWING APPROVAL:

THIS DRAWING REFLECTS OUR INTERPRETATION OF THE INFORMATION PROVIDED BY THE DEALER ON THE TELECAR ORDER FORM. THIS INFORMATION IS THE DEALER'S RESPONSIBILITY, AND IS THE BASIS FROM WHICH THE TELECAR ELEVATOR IS DESIGNED AND MANUFACTURED. PLEASE INDICATE THE REQUESTED ACTION BY CHECKING ONE OF THE FOLLOWING BOXES AND SIGNING BELOW TO AUTHORIZE COMPLETION OF THIS ORDER.

APPROVED WITH NO EXCEPTIONS
MANUFACTURE ELEVATOR AS PER DRAWING

CHANGE AS NOTED, REAPPROVAL REQUIRED
MAKE CHANGES AS NOTED, SEND CORRECTED DRAWING FOR REAPPROVAL BEFORE MANUFACTURE

SIGNATURE: _____ DATE: _____

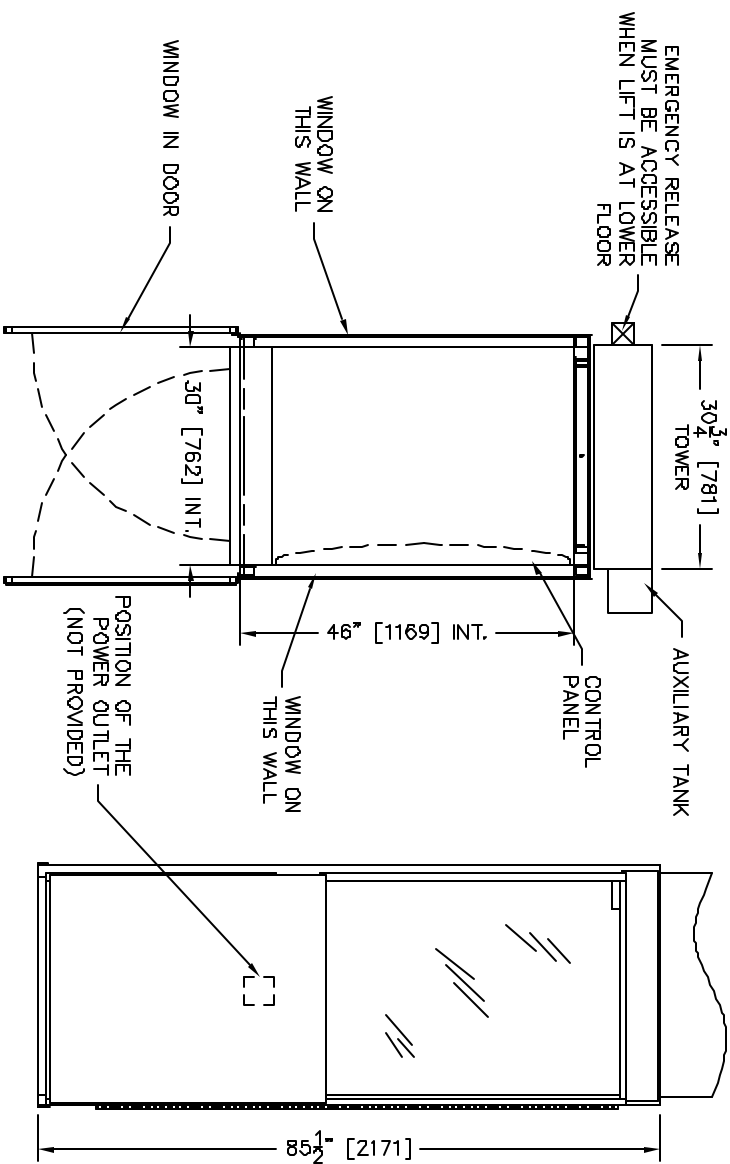
CAUTION: ONCE THE DRAWING IS APPROVED, JOB CANCELLATION FEES WILL BE 50% OF JOB PRICING

PROVIDED BY OTHERS

- 1) POWER SUPPLY: DEDICATED CIRCUIT, 120 VAC, 20 AMPS, SINGLE PHASE
- 2) CONSTRUCTION SITE: LOAD BEARING WALL AND FLOOR CUT OUT NEEDS TO SUPPORT THE LOADS SHOWN ON THE DRAWINGS. THE SOLIDITY OF THE CONSTRUCTION IS NOT THE RESPONSIBILITY OF SAVARIA INC. LOAD BEARING WALL TO INCLUDE TWO SETS OF THREE 2" X 4" WOOD STUDS 24" APART AS SHOWN ON THE FLOOR CUT-OUT DRAWING
- 3) DIMENSIONS: CONTRACTOR/CUSTOMER TO VERIFY ALL DIMENSIONS AND REPORT ANY DISCREPANCIES TO OUR OFFICE IMMEDIATELY.
- 4) PERMANENT POWER: BEFORE INSTALLATION CAN BEGIN, PERMANENT POWER MUST BE SUPPLIED.
- 5) A PHONE LINE TO CONNECT THE CAB PHONE

SAFETY FEATURES

- 1) ELECTRO-MECHANICAL DOOR LOCK AND OPEN DOOR SENSOR
- 2) UNDER PANEL SAFETY SENSOR
- 3) EMERGENCY STOP AND ALARM
- 4) EMERGENCY BATTERY LOWERING
- 5) EMERGENCY LOWERING
- 6) FULLY ENCLOSED DRIVE TOWER
- 7) PRESSURE RELIEF VALVE TO PREVENT PLATFORM OVERLOAD
- 8) SLACK CHAIN SAFETY DEVICE
- 9) TELEPHONE IN CAB
- 10) HALOGEN LIGHT IN CAB

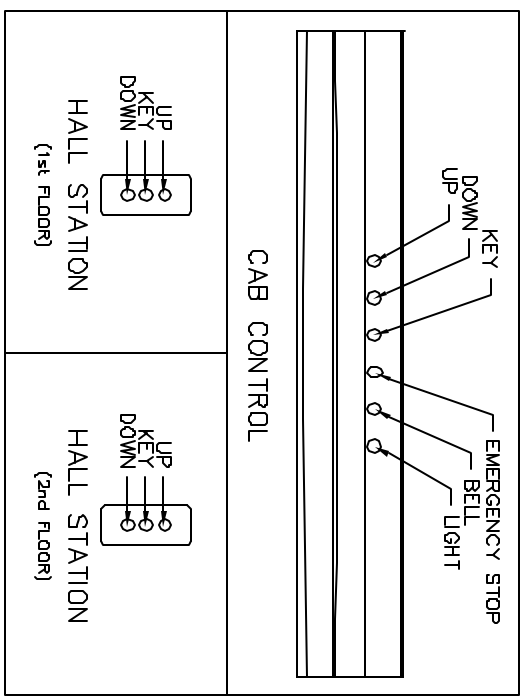
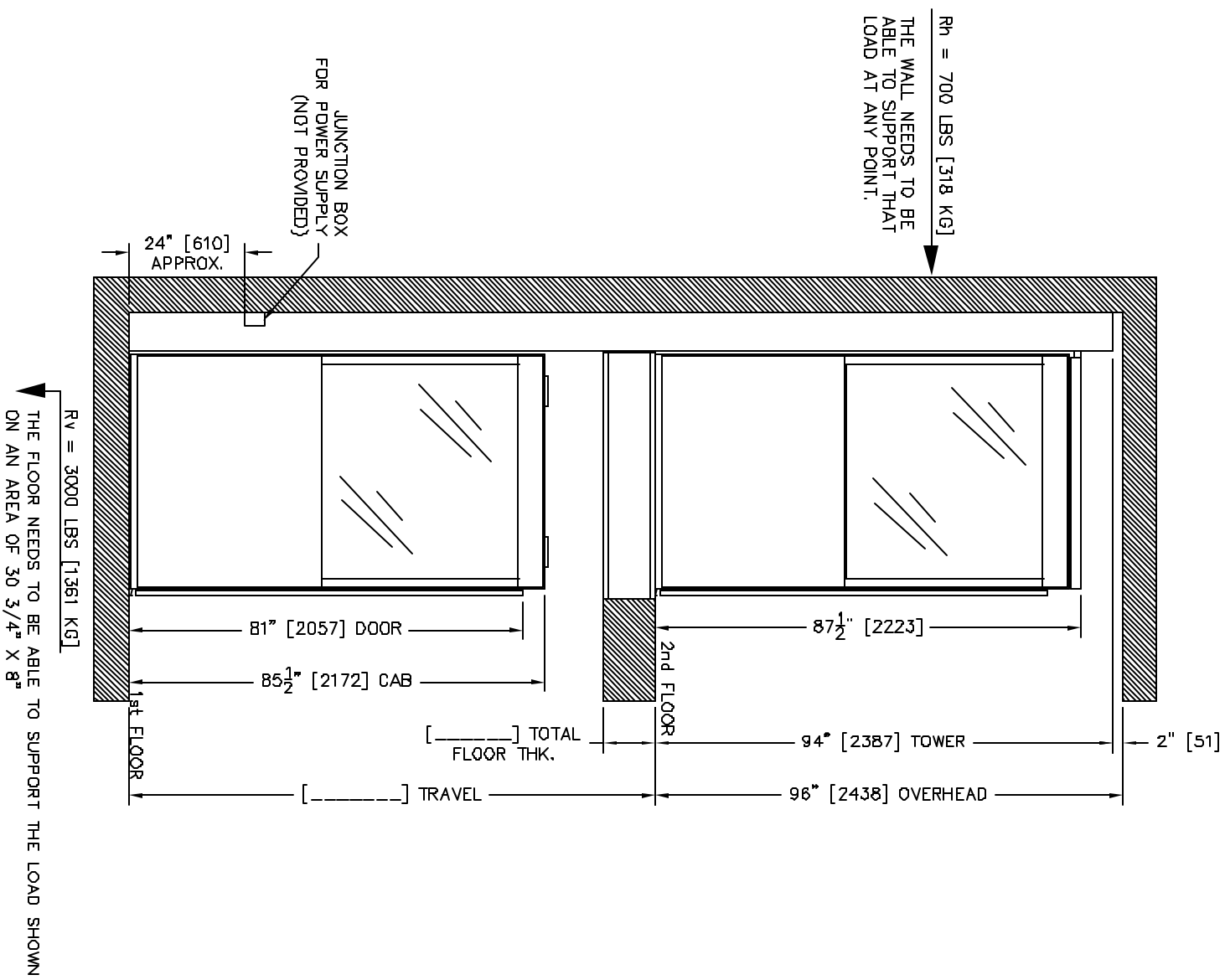


TRADITIONAL TELECAR

CLASSIFICATION	RESIDENTIAL BUILDING
TELCAB TYPE	TYPE 1, TRADITIONAL
TELCAB USABLE DIM.	30" x 48" x 78"
TELCAB CAPACITY	500 LBS [227 KG]
COLOR (URETHANE FINISH)	<input type="checkbox"/> WHITE <input type="checkbox"/> BEIGE
PLEXIGLASS TINT	<input type="checkbox"/> BRONZE <input type="checkbox"/> CLEAR
RATED SPEED	<input type="checkbox"/> 25 FT/MIN <input type="checkbox"/> 14 FT/MIN
LEVEL SERVED	<input type="checkbox"/> 2 LEVELS <input type="checkbox"/> 3 LEVELS
NUMBER OF OPENING(S)	<input type="checkbox"/> 1 OPENING <input type="checkbox"/> 2 OPENINGS
DRIVE SYSTEM	1 TO 2 CHAIN HYDRAULIC
CAB DOOR OPERATION	<input type="checkbox"/> MANUAL <input type="checkbox"/> HYDRAULIC DOOR CLOSER
	<input type="checkbox"/> POWER OPERATED
PLUNGER DIAMETER	<input type="checkbox"/> 1 1/2" <input type="checkbox"/> 2"
PLUNGER WALL THK.	FULL
CASING DIAMETER	<input type="checkbox"/> 2" <input type="checkbox"/> 2 1/2"
CASING WALL THK.	1/8"
CYLINDER CLOSE LENGTH	2125 LBS [964 KG]
WEIGHT/PLUNGER	2000 PSI
SYSTEM MAX. PRESSURE	<input type="checkbox"/> 1.25 GAL/US <input type="checkbox"/> 3.00 GAL/US
OIL CAPACITY	<input type="checkbox"/> 1.5 HP, 115 V
MOTOR	450, QTY: 2
CHAIN	RELAY LOGIC
CONTROLLER	
POWER OPERATION	<input type="checkbox"/> 110 VAC + 12 VDC DOWN STD
	<input type="checkbox"/> 12 VDC UP + DOWN
	<input type="checkbox"/> 220 VAC/50 HZ
	<input type="checkbox"/> _____
OPERATION	CONSTANT PRESSURE, ANTI-CREEP FEATURE
HALL STATION	<input type="checkbox"/> SURFACE MOUNTED <input type="checkbox"/> RECESS MOUNTED
BEARING WALL	<input type="checkbox"/> WOOD <input type="checkbox"/> CONCRETE
	<input type="checkbox"/> OTHER : _____
FLOOR PLUG	<input type="checkbox"/> REQUIRED <input type="checkbox"/> NOT REQUIRED
UNDER PAN	<input type="checkbox"/> REQUIRED <input type="checkbox"/> NOT REQUIRED

0	FOR APPROVAL	F.B.	
REV.	DESCRIPTION	BY	DATE
CUSTOMER :			
PROJECT :			
DATE :			
PROJECTION	TOLERANCES IF NOT SPECIFIED		
	FRACTION: ±1/8" [3]		
SCALE:	DRAWN BY:		
NTS	F:BEAULIEU		
DATE:	SERVICES INDUSTRIELS SAVARIA INC. MODEL: TELECAR RESIDENTIAL ELEVATOR		
DRAWING #	REV#	PAGE:	TITLE:
0	0	1/4	TYPE 1 - PLAN VIEW

TRADITIONAL TELECAB



DRAWING APPROVAL:
 THIS DRAWING REFLECTS OUR INTERPRETATION OF THE INFORMATION PROVIDED BY THE DEALER ON THE TELECAB ORDER FORM. THIS INFORMATION IS THE DEALER'S RESPONSIBILITY, AND IS THE BASIS FROM WHICH THE TELECAB ELEVATOR IS DESIGNED AND MANUFACTURED. PLEASE INDICATE THE REQUESTED ACTION BY CHECKING ONE OF THE FOLLOWING BOXES AND SIGNING BELOW TO AUTHORIZE COMPLETION OF THIS ORDER.

APPROVED WITH NO EXCEPTIONS
 MANUFACTURE ELEVATOR AS PER DRAWING

CHANGE AS NOTED, REAPPROVAL REQUIRED
 MAKE CHANGES AS NOTED, SEND CORRECTED DRAWINGS FOR REAPPROVAL BEFORE MANUFACTURE

SIGNATURE: _____ DATE: _____

CAUTION: ONCE THE DRAWING IS APPROVED, JOB CANCELLATION FEES WILL BE 50% OF JOB PRICING

0	FOR APPROVAL	F.B.	
REV.	DESCRIPTION	BY	DATE
CUSTOMER :			
PROJECT :			
DATE :			
PROJECTION		TOLERANCES IF NOT SPECIFIED	
		FRAC: 1/8" [3]	
SCALE:	DRAWN BY:	SERVICES INDUSTRIELS SAVARIA INC. MODEL: TELECAB RESIDENTIAL ELEVATOR	
NTS	F:BEAULIEU		
DATE:			
DRAWING #	REV#	PAGE:	TITLE:
0	0	2/4	TYPE I - ELEVATION

DRAWING APPROVAL:
 THIS DRAWING REFLECTS OUR INTERPRETATION OF THE INFORMATION PROVIDED BY THE DEALER ON THE TELECAR ORDER FORM. THIS INFORMATION IS THE DEALER'S RESPONSIBILITY, AND IS THE BASIS FROM WHICH THE TELECAR ELEVATOR IS DESIGNED AND MANUFACTURED. PLEASE INDICATE THE REQUESTED ACTION BY CHECKING ONE OF THE FOLLOWING BOXES AND SIGNING BELOW TO AUTHORIZE COMPLETION OF THIS ORDER.

APPROVED WITH NO EXCEPTIONS
 MANUFACTURE ELEVATOR AS PER DRAWING

CHANGE AS NOTED, REAPPROVAL REQUIRED
 MAKE CHANGES AS NOTED, SEND CORRECTED DRAWING FOR REAPPROVAL BEFORE MANUFACTURE

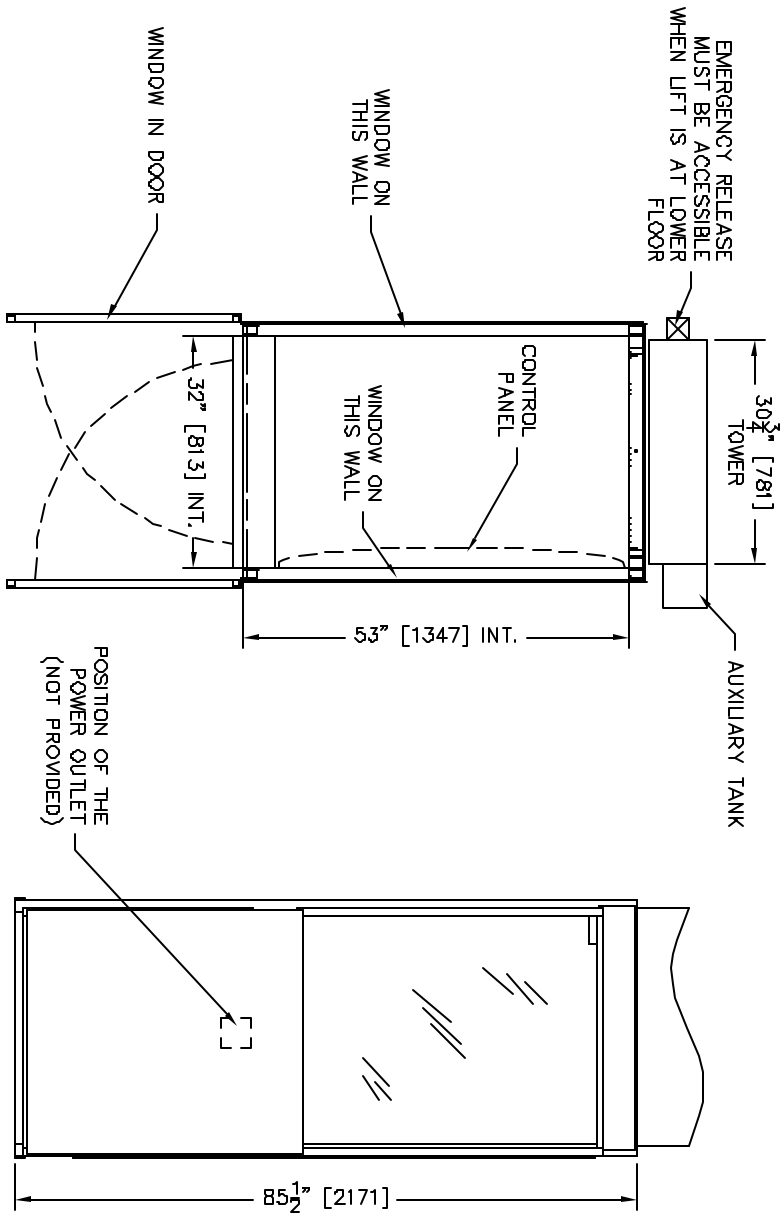
SIGNATURE: _____ DATE: _____
 CAUTION: ONCE THE DRAWING IS APPROVED, JOB CANCELLATION FEES WILL BE 50% OF JOB PRICING

PROVIDED BY OTHERS

- 1) POWER SUPPLY: DEDICATED CIRCUIT, 120 VAC, 20 AMPS, SINGLE PHASE
- 2) CONSTRUCTION SITE: LOAD BEARING WALL AND FLOOR CUT OUT NEEDS TO SUPPORT THE LOADS SHOWN ON THE DRAWINGS. THE SOLIDITY OF THE CONSTRUCTION IS NOT THE RESPONSIBILITY OF SAVARIA INC. LOAD BEARING WALL TO INCLUDE TWO SETS OF THREE 2" X 4" WOOD STUDS 24" APART AS SHOWN ON THE FLOOR CUT-OUT DRAWING
- 3) DIMENSIONS: CONTRACTOR/CUSTOMER TO VERIFY ALL DIMENSIONS AND REPORT ANY DISCREPANCIES TO OUR OFFICE IMMEDIATELY.
- 4) PERMANENT POWER BEFORE INSTALLATION CAN BEGIN. PERMANENT POWER MUST BE SUPPLIED.
- 5) A PHONE LINE TO CONNECT THE CAB PHONE

SAFETY FEATURES

- 1) ELECTRO-MECHANICAL DOOR LOCK AND OPEN DOOR SENSOR
- 2) UNDER PANEL SAFETY SENSOR
- 3) EMERGENCY STOP AND ALARM
- 4) EMERGENCY BATTERY LOWERING
- 5) EMERGENCY LOWERING
- 6) FULLY ENCLOSED DRIVE TOWER
- 7) PRESSURE RELIEF VALVE TO PREVENT PLATFORM OVERLOAD
- 8) SLACK CHAIN SAFETY DEVICE
- 9) TELEPHONE IN CAB
- 10) HALOGEN LIGHT IN CAB

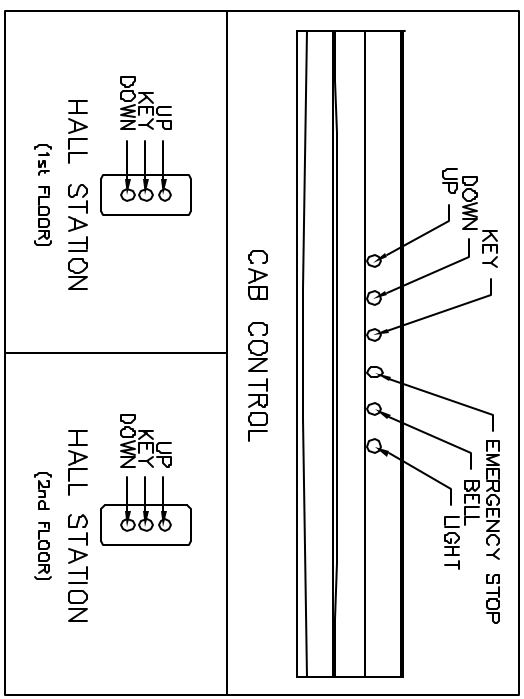
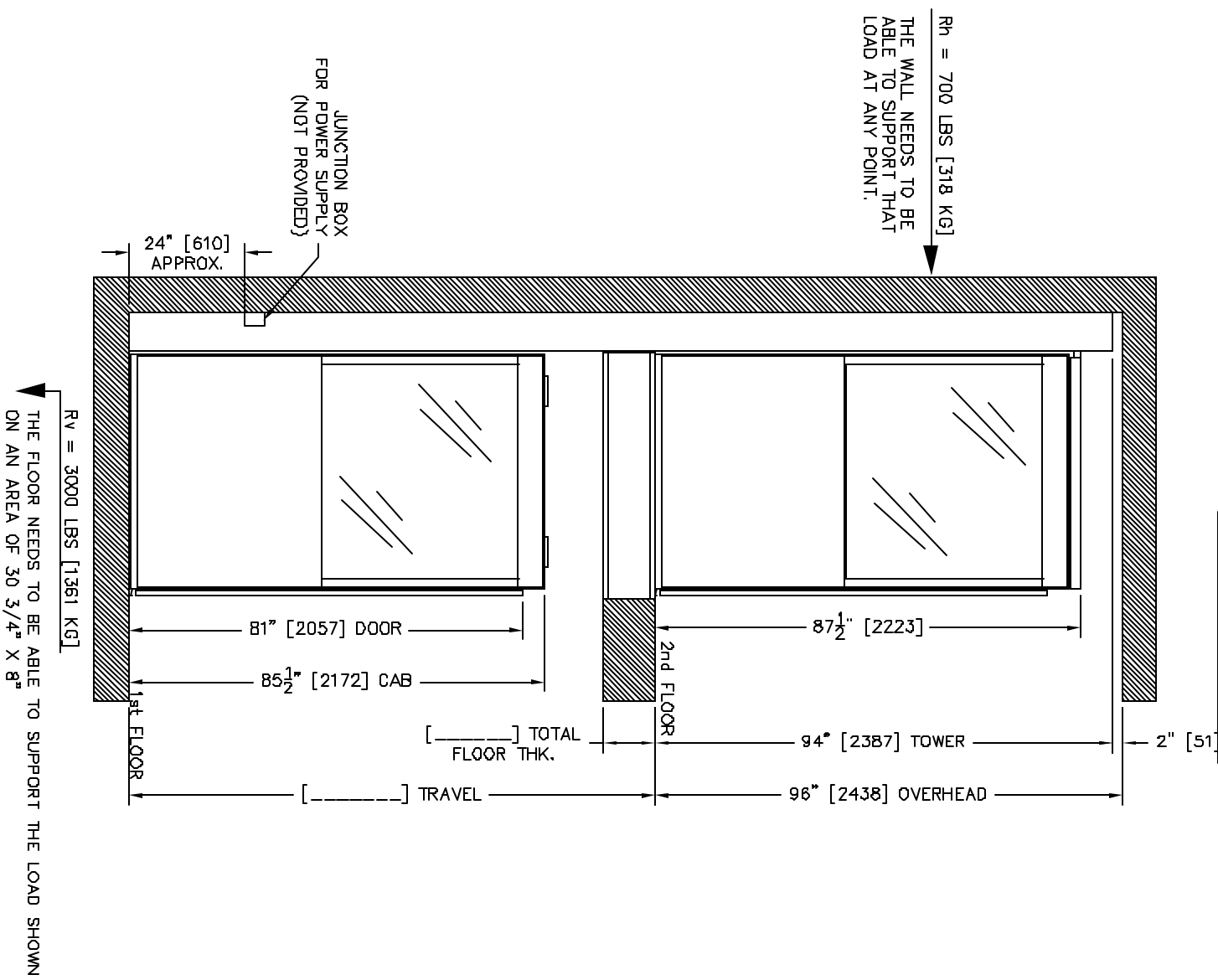


TRADITIONAL TELECAR

CLASSIFICATION	RESIDENTIAL BUILDING
TELECAR TYPE	TYPE II, TRADITIONAL
TELECAR USABLE DIM.	32" x 53" x 78"
TELECAR CAPACITY	500 LBS [227 KG]
COLOR (URETHANE FINISH)	<input type="checkbox"/> WHITE <input type="checkbox"/> BEIGE
PLEXIGLASS TINT	<input type="checkbox"/> BRONZE <input type="checkbox"/> CLEAR
RATED SPEED	<input type="checkbox"/> 25 FT/MIN <input type="checkbox"/> 14 FT/MIN
LEVEL SERVED	<input type="checkbox"/> 2 LEVELS <input type="checkbox"/> 3 LEVELS
NUMBER OF OPENING(S)	<input type="checkbox"/> 1 OPENING <input type="checkbox"/> 2 OPENINGS
DRIVE SYSTEM	1 TO 2 CHAIN HYDRAULIC
CAB DOOR OPERATION	<input type="checkbox"/> MANUAL <input type="checkbox"/> HYDRAULIC DOOR CLOSER
	<input type="checkbox"/> POWER OPERATED
PLUNGER DIAMETER	<input type="checkbox"/> 1 1/2" <input type="checkbox"/> 2"
PLUNGER WALL THK.	FULL
CASING DIAMETER	<input type="checkbox"/> 2" <input type="checkbox"/> 2 1/2"
CASING WALL THK.	1/8"
CYLINDER CLOSE LENGTH	2125 LBS [964 KG]
WEIGHT/PLUNGER	2000 PSI
SYSTEM MAX. PRESSURE	<input type="checkbox"/> 1.25 GAL/US <input type="checkbox"/> 3.00 GAL/US
OIL CAPACITY	MOTOR 1.5 HP, 115 V
CHAIN	#50, QTY: 2
CONTROLLER	RELAY LOGIC
POWER OPERATION	<input type="checkbox"/> 110 VAC + 12 VDC DOWN STD
	<input type="checkbox"/> 12 VDC UP + DOWN
	<input type="checkbox"/> 220 VAC/50 HZ
OPERATION	CONSTANT PRESSURE, ANTI-CREEP FEATURE
HALL STATION	<input type="checkbox"/> SURFACE MOUNTED <input type="checkbox"/> RECESS MOUNTED
BEARING WALL	<input type="checkbox"/> WOOD <input type="checkbox"/> CONCRETE
	OTHER : _____
FLOOR PLUG	<input type="checkbox"/> REQUIRED <input type="checkbox"/> NOT REQUIRED
UNDER PAN	<input type="checkbox"/> REQUIRED <input type="checkbox"/> NOT REQUIRED

0	FOR APPROVAL	F.B.	
REV.	DESCRIPTION	BY	DATE
CUSTOMER :			
PROJECT :			
DATE :			
PROJECTION		TOLERANCES IF NOT SPECIFIED	
		FRAC: ±1/8" [3]	
SCALE:	DRAWN BY:	SERVICES INDUSTRIES SAVARIA INC. MODEL: TELECAR RESIDENTIAL ELEVATOR	
NTS	F:BEAULIEU		
DATE:			
DRAWING #	REV#	PAGE:	TITLE:
0	0	1/4	TYPE II - PLAN VIEW

TRADITIONAL TELECAB



DRAWING APPROVAL:

THIS DRAWING REFLECTS OUR INTERPRETATION OF THE INFORMATION PROVIDED BY THE DEALER ON THE TELECAB ORDER FORM. THIS INFORMATION IS THE DEALER'S RESPONSIBILITY, AND IS THE BASIS FROM WHICH THE TELECAB ELEVATOR IS DESIGNED AND MANUFACTURED. PLEASE INDICATE THE REQUESTED ACTION BY CHECKING ONE OF THE FOLLOWING BOXES AND SIGNING BELOW TO AUTHORIZE COMPLETION OF THIS ORDER.

- APPROVED WITH NO EXCEPTIONS
- MANUFACTURE ELEVATOR AS PER DRAWING
- CHANGE AS NOTED, REAPPROVAL REQUIRED
- MAKE CHANGES AS NOTED, SEND CORRECTED DRAWINGS FOR REAPPROVAL BEFORE MANUFACTURE

SIGNATURE: _____ DATE: _____

CAUTION: ONCE THE DRAWING IS APPROVED, JOB CANCELLATION FEES WILL BE 50% OF JOB PRICING

0	FOR APPROVAL	F.B.	DATE
REV.	DESCRIPTION	BY	DATE
CUSTOMER :			
PROJECT :			
DATE :			
PROJECTION		TOLERANCES IF NOT SPECIFIED	
		FRAC: 1/8" [3]	
SCALE:	DRAWN BY:	 SERVICES INDUSTRIES SAVARIA INC.	
NTS	F:BEAULIEU		
DATE:			
DRAWING #	REV#	PAGE:	TITLE:
0	0	2/4	TYPE II - ELEVATION
MODEL: TELECAB RESIDENTIAL ELEVATOR			

DRAWING APPROVAL:

THIS DRAWING REFLECTS OUR INTERPRETATION OF THE INFORMATION PROVIDED BY THE DEALER ON THE TELECAR ORDER FORM. THIS INFORMATION IS THE DEALER'S RESPONSIBILITY, AND IS THE BASIS FROM WHICH THE TELECAR ELEVATOR IS DESIGNED AND MANUFACTURED. PLEASE INDICATE THE REQUESTED ACTION BY CHECKING ONE OF THE FOLLOWING BOXES AND SIGNING BELOW TO AUTHORIZE COMPLETION OF THIS ORDER.

APPROVED WITH NO EXCEPTIONS
MANUFACTURE ELEVATOR AS PER DRAWING

CHANGE AS NOTED, SEND CORRECTED DRAWING FOR REAPPROVAL BEFORE MANUFACTURE

SIGNATURE: _____ DATE: _____

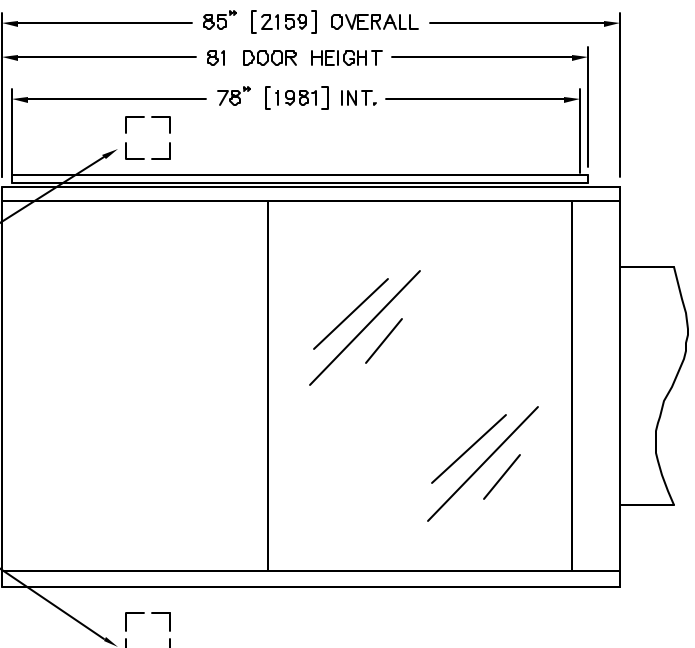
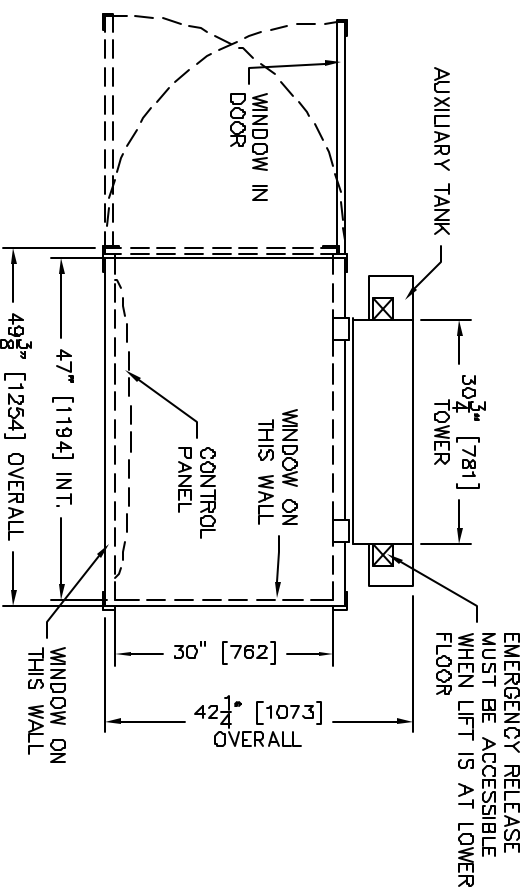
CAUTION: ONCE THE DRAWING IS APPROVED, JOB CANCELLATION FEES WILL BE 50% OF JOB PRICING

PROVIDED BY OTHERS

- 1) POWER SUPPLY: DEDICATED CIRCUIT, 120 VAC, 20 AMPS, SINGLE PHASE
- 2) CONSTRUCTION SITE: LOAD BEARING WALL AND FLOOR CUT OUT NEEDS TO SUPPORT THE LOADS SHOWN ON THE DRAWINGS. THE SOLIDITY OF THE CONSTRUCTION IS NOT THE RESPONSIBILITY OF SAVARIA INC. LOAD BEARING WALL TO INCLUDE TWO SETS OF THREE 2" X 4" WOOD STUDS 24" APART AS SHOWN ON THE FLOOR CUT-OUT DRAWING
- 3) DIMENSIONS: CONTRACTOR/CUSTOMER TO VERIFY ALL DIMENSIONS AND REPORT ANY DISCREPANCIES TO OUR OFFICE IMMEDIATELY.
- 4) PERMANENT POWER: BEFORE INSTALLATION CAN BEGIN, PERMANENT POWER MUST BE SUPPLIED.
- 5) A PHONE LINE TO CONNECT THE CAB PHONE

SAFETY FEATURES

- 1) ELECTRO-MECHANICAL DOOR LOCK AND OPEN DOOR SENSOR
- 2) UNDER PANEL SAFETY SENSOR
- 3) EMERGENCY STOP AND ALARM
- 4) EMERGENCY BATTERY LOWERING
- 5) EMERGENCY LOWERING
- 6) FULLY ENCLOSED DRIVE TOWER
- 7) PRESSURE RELIEF VALVE TO PREVENT PLATFORM OVERLOAD
- 8) SLACK CHAIN SAFETY DEVICE
- 9) TELEPHONE IN CAB
- 10) HALOGEN LIGHT IN CAB



TRADITIONAL TELECAR

CLASSIFICATION

RESIDENTIAL BUILDING

TELECAR TYPE TYPE III, TRADITIONAL

TELECAR USABLE DIM. 30" x 47" x 78"

TELECAR CAPACITY 500 LBS [227 KG]

COLOR (URETHANE FINISH) WHITE BEIGE

BRONZE CLEAR

PLATEGLASS TINT BRONZE CLEAR

RATED SPEED 25 FT/MIN 14 FT/MIN

LEVEL SERVED 2 LEVELS 3 LEVELS

NUMBER OF OPENING(S) 1 OPENING 2 OPENINGS

DRIVE SYSTEM 1 TO 2 CHAIN HYDRAULIC

CAB DOOR OPERATION MANUAL HYDRAULIC DOOR CLOSER

POWER OPERATED

PLUNGER DIAMETER 1 1/2" 2"

PLUNGER WALL THK. FULL 2"

CASING DIAMETER 2" 2 1/2"

CASING WALL THK. 1/8"

CYLINDER CLOSE LENGTH 2125 LBS [964 KG]

WEIGHT/PLUNGER 2000 PSI

SYSTEM MAX. PRESSURE 1.25 GAL/US 3.00 GAL/US

OIL CAPACITY 1.5 HP, 115 V

MOTOR #50, QTY: 2

CHAIN #50, QTY: 2

CONTROLLER RELAY LOGIC

POWER OPERATION 110 VAC + 12 VDC DOWN STD

12 VDC UP + DOWN

220 VAC/50 HZ

OPERATION CONSTANT PRESSURE, ANTI-CREEP FEATURE

HALL STATION SURFACE MOUNTED RECESS MOUNTED

BEARING WALL WOOD CONCRETE

OTHER : _____

FLOOR PLUG REQUIRED NOT REQUIRED

UNDER PAN REQUIRED NOT REQUIRED

0 FOR APPROVAL F.B. BY DATE

REV. DESCRIPTION

CUSTOMER :

PROJECT :

DATE :

PROJECTION TOLERANCES IF NOT SPECIFIED

FRAC: ±1/8" [3]

SCALE: DRAWN BY: F:BEAULIEU

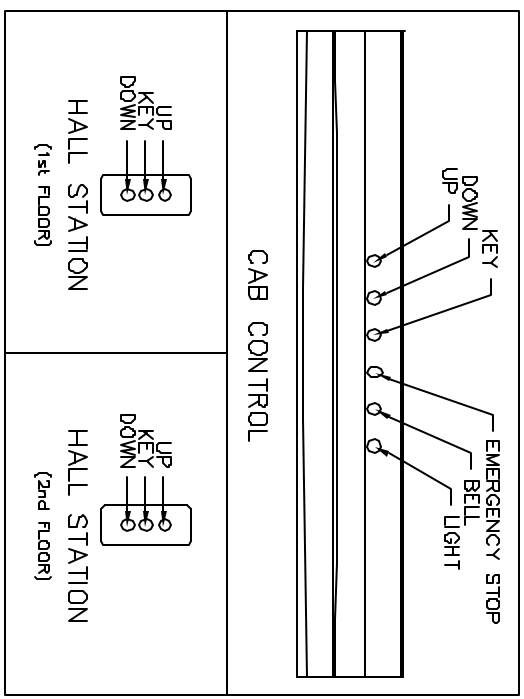
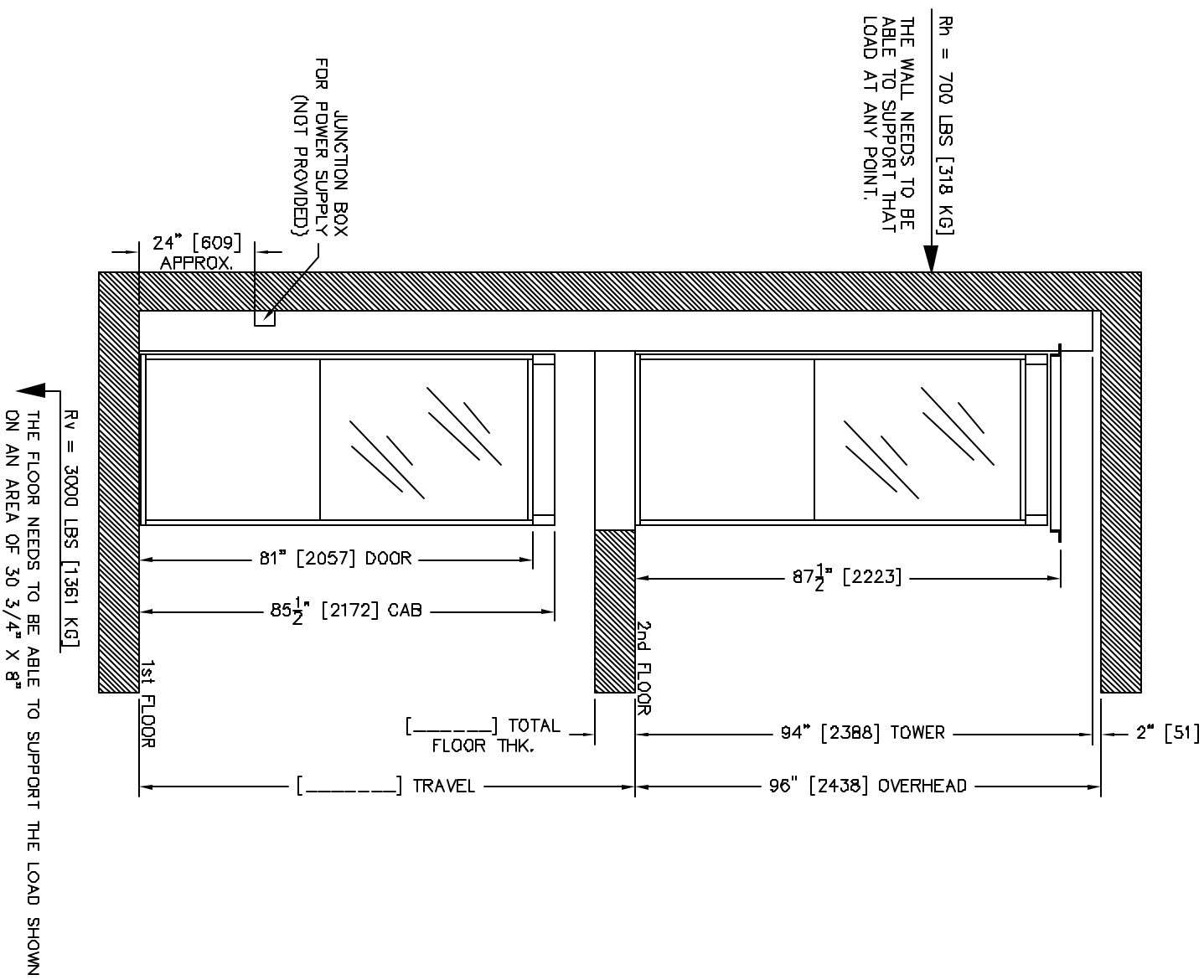
NTS DATE:

MODEL: TELECAR RESIDENTIAL ELEVATOR

SERVICES INDUSTRIES SAVARIA INC.

DRAWING # 0 REV# PAGE: 1/4 TITLE: TYPE III - PLAN VIEW

TRADITIONAL TELECAB



DRAWING APPROVAL:
 THIS DRAWING REFLECTS OUR INTERPRETATION OF THE INFORMATION PROVIDED BY THE DEALER ON THE TELECAR ORDER FORM. THIS INFORMATION IS THE DEALER'S RESPONSIBILITY, AND IS THE BASIS FROM WHICH THE TELECAR ELEVATOR IS DESIGNED AND MANUFACTURED. PLEASE INDICATE THE REQUESTED ACTION BY CHECKING ONE OF THE FOLLOWING BOXES AND SIGNING BELOW TO AUTHORIZE COMPLETION OF THIS ORDER.

APPROVED WITH NO EXCEPTIONS
 MANUFACTURE ELEVATOR AS PER DRAWING

CHANGE AS NOTED, REAPPROVAL REQUIRED
 MAKE CHANGES AS NOTED, SEND CORRECTED DRAWINGS FOR REAPPROVAL BEFORE MANUFACTURE

SIGNATURE: _____ DATE: _____

CAUTION: ONCE THE DRAWING IS APPROVED, JOB CANCELLATION FEES WILL BE 50% OF JOB PRICING

0	FOR APPROVAL	F.B.	
REV.	DESCRIPTION	BY	DATE
CUSTOMER :			
PROJECT :			
DATE :			
PROJECTION		TOLERANCES IF NOT SPECIFIED	
		FRAC: 1/8" [3]	
SCALE:	DRAWN BY:	SERVICES INDUSTRIES SAVARIA INC. MODEL: TELECAR RESIDENTIAL ELEVATOR	
NTS	F:BEAULIEU		
DATE:			
DRAWING #	REV#	PAGE:	TITLE:
0	0	2/4	TYPE III - ELEVATION

DRAWING APPROVAL:

THIS DRAWING REFLECTS OUR INTERPRETATION OF THE INFORMATION PROVIDED BY THE DEALER ON THE TELECAR ORDER FORM. THIS INFORMATION IS THE DEALER'S RESPONSIBILITY, AND IS THE BASIS FROM WHICH THE TELECAR ELEVATOR IS DESIGNED AND MANUFACTURED. PLEASE INDICATE THE REQUESTED ACTION BY CHECKING ONE OF THE FOLLOWING BOXES AND SIGNING BELOW TO AUTHORIZE COMPLETION OF THIS ORDER.

APPROVED WITH NO EXCEPTIONS
MANUFACTURE ELEVATOR AS PER DRAWING

CHANGE AS NOTED, SEND CORRECTED DRAWING FOR REAPPROVAL BEFORE MANUFACTURE

SIGNATURE: _____ DATE: _____

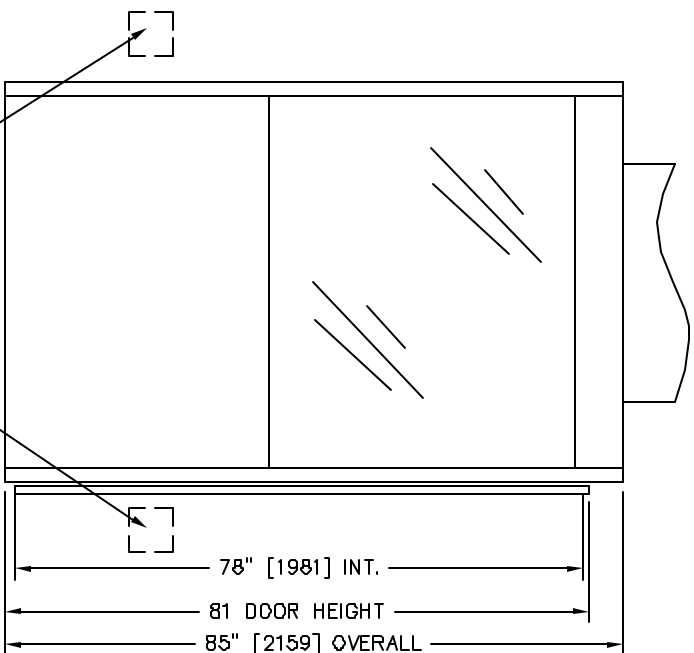
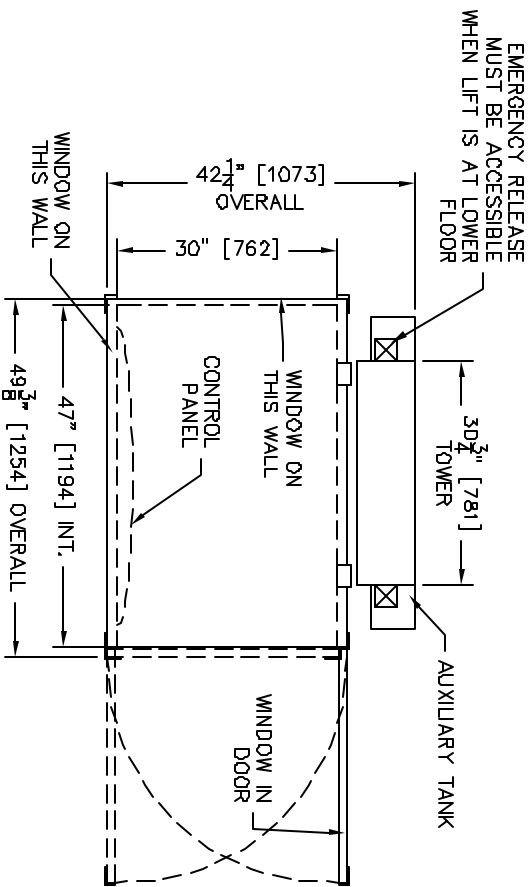
CAUTION: ONCE THE DRAWING IS APPROVED, JOB CANCELLATION FEES WILL BE 50% OF JOB PRICING

PROVIDED BY OTHERS

- 1) POWER SUPPLY: DEDICATED CIRCUIT, 120 VAC, 20 AMPS, SINGLE PHASE
- 2) CONSTRUCTION SITE: LOAD BEARING WALL AND FLOOR CUT OUT NEEDS TO SUPPORT THE LOADS SHOWN ON THE DRAWINGS. THE SOLIDITY OF THE CONSTRUCTION IS NOT THE RESPONSIBILITY OF SAVARIA INC. LOAD BEARING WALL TO INCLUDE TWO SETS OF THREE 2" X 4" WOOD STUDS 24" APART AS SHOWN ON THE FLOOR CUT-OUT DRAWING
- 3) DIMENSIONS: CONTRACTOR/CUSTOMER TO VERIFY ALL DIMENSIONS AND REPORT ANY DISCREPANCIES TO OUR OFFICE IMMEDIATELY.
- 4) PERMANENT POWER: BEFORE INSTALLATION CAN BEGIN, PERMANENT POWER MUST BE SUPPLIED.
- 5) A PHONE LINE TO CONNECT THE CAB PHONE

SAFETY FEATURES

- 1) ELECTRO-MECHANICAL DOOR LOCK AND OPEN DOOR SENSOR
- 2) UNDER PANEL SAFETY SENSOR
- 3) EMERGENCY STOP AND ALARM
- 4) EMERGENCY BATTERY LOWERING
- 5) EMERGENCY LOWERING
- 6) FULLY ENCLOSED DRIVE TOWER
- 7) PRESSURE RELIEF VALVE TO PREVENT PLATFORM OVERLOAD
- 8) SLACK CHAIN SAFETY DEVICE
- 9) TELEPHONE IN CAB
- 10) HALOGEN LIGHT IN CAB

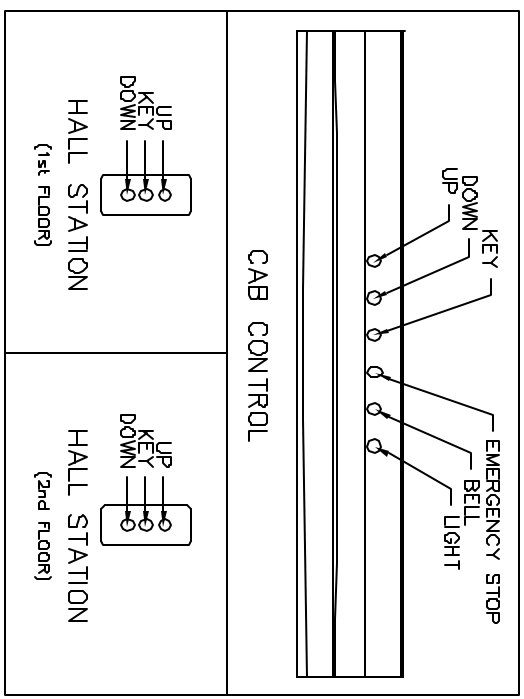
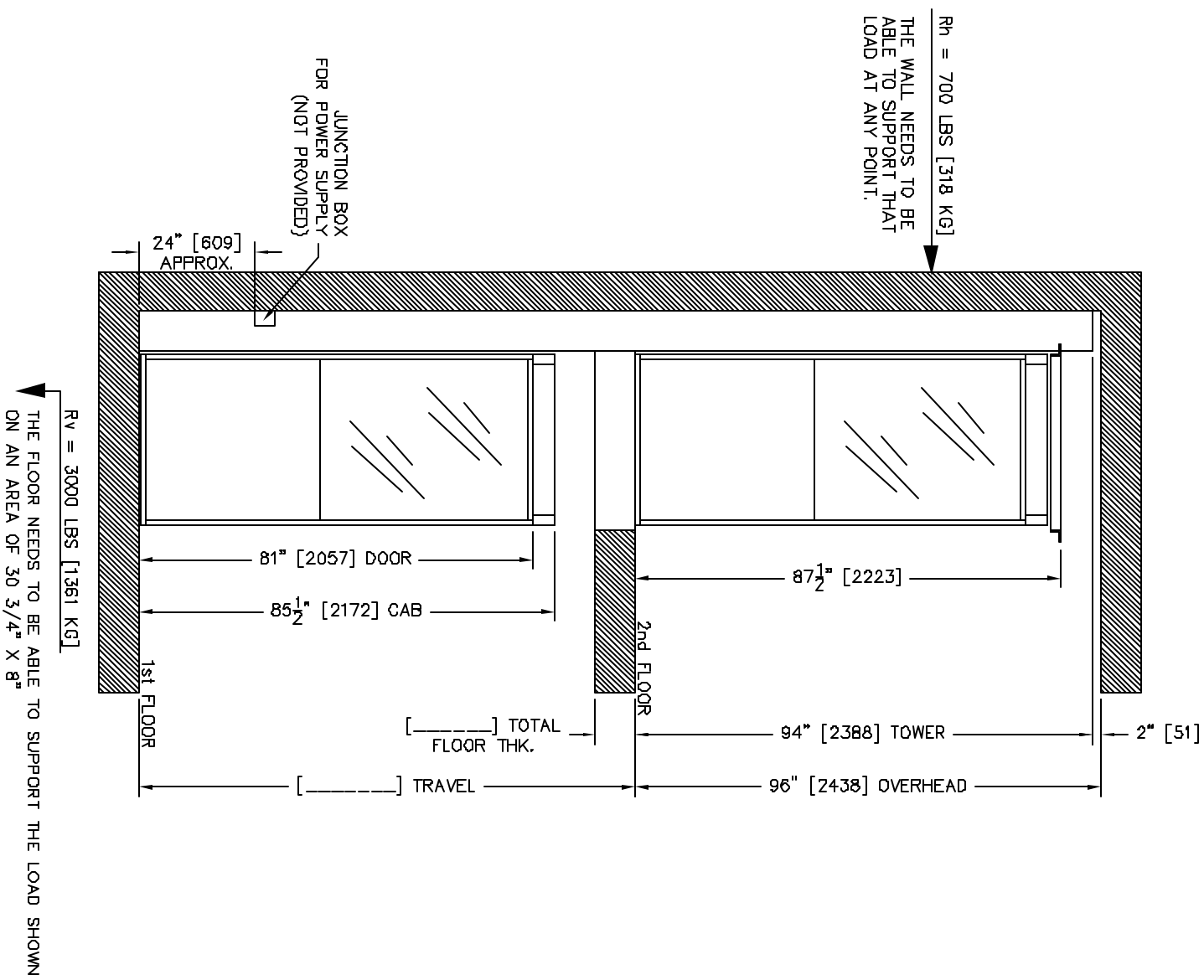


TRADITIONAL TELECAR

CLASSIFICATION	RESIDENTIAL BUILDING
TELECAR TYPE	TYPE III, TRADITIONAL
TELECAR USABLE DIM.	30" x 47" x 78"
TELECAR CAPACITY	500 LBS [227 KG]
COLOR (URETHANE FINISH)	<input type="checkbox"/> WHITE <input type="checkbox"/> BEIGE
PLEXIGLASS TINT	<input type="checkbox"/> BRONZE <input type="checkbox"/> CLEAR
RATED SPEED	<input type="checkbox"/> 25 FT/MIN <input type="checkbox"/> 14 FT/MIN
LEVEL SERVED	<input type="checkbox"/> 2 LEVELS <input type="checkbox"/> 3 LEVELS
NUMBER OF OPENING(S)	<input type="checkbox"/> 1 OPENING <input type="checkbox"/> 2 OPENINGS
DRIVE SYSTEM	1 TO 2 CHAIN HYDRAULIC
CAB DOOR OPERATION	<input type="checkbox"/> MANUAL <input type="checkbox"/> HYDRAULIC DOOR CLOSER
	<input type="checkbox"/> POWER OPERATED
PLUNGER DIAMETER	<input type="checkbox"/> 1 1/2" <input type="checkbox"/> 2"
PLUNGER WALL THK.	FULL
CASING DIAMETER	<input type="checkbox"/> 2" <input type="checkbox"/> 2 1/2"
CASING WALL THK.	1/8"
CYLINDER CLOSE LENGTH	2125 LBS [964 KG]
WEIGHT/PLUNGER	2000 PSI
SYSTEM MAX. PRESSURE	<input type="checkbox"/> 1.25 GAL/US <input type="checkbox"/> 3.00 GAL/US
OIL CAPACITY	<input type="checkbox"/> 1.5 HP, 115 V
MOTOR	#SQ. QTY: 2
CHAIN	RELAY LOGIC
CONTROLLER	
POWER OPERATION	<input type="checkbox"/> 110 VAC + 12 VDC DOWN STD <input type="checkbox"/> 12 VDC UP + DOWN <input type="checkbox"/> 220 VAC/50 HZ
OPERATION	<input type="checkbox"/> CONSTANT PRESSURE, ANTI-CREEP FEATURE
HALL STATION	<input type="checkbox"/> SURFACE MOUNTED <input type="checkbox"/> RECESS MOUNTED
BEARING WALL	<input type="checkbox"/> WOOD <input type="checkbox"/> CONCRETE
	<input type="checkbox"/> OTHER : _____
FLOOR PLUG	<input type="checkbox"/> REQUIRED <input type="checkbox"/> NOT REQUIRED
UNDER PAN	<input type="checkbox"/> REQUIRED <input type="checkbox"/> NOT REQUIRED

0	FOR APPROVAL	F.B.	
REV.	DESCRIPTION	BY	DATE
CUSTOMER :			
PROJECT :			
DATE :			
PROJECTION TOLERANCES IF NOT SPECIFIED			
FRAC: ±1/8" [3]			
SCALE:	DRAWN BY:	SERVICES INDUSTRIES SAVARIA INC.	
NTS	F:BEAULIEU	MODEL: TELECAR RESIDENTIAL ELEVATOR	
DATE:		TITLE: TYPE III - PLAN VIEW	
DRAWING #	REV#	PAGE:	
0	0	1/4	

TRADITIONAL TELECAB



DRAWING APPROVAL:
 THIS DRAWING REFLECTS OUR INTERPRETATION OF THE INFORMATION PROVIDED BY THE DEALER ON THE TELECAR ORDER FORM. THIS INFORMATION IS THE DEALER'S RESPONSIBILITY, AND IS THE BASIS FROM WHICH THE TELECAR ELEVATOR IS DESIGNED AND MANUFACTURED. PLEASE INDICATE THE REQUESTED ACTION BY CHECKING ONE OF THE FOLLOWING BOXES AND SIGNING BELOW TO AUTHORIZE COMPLETION OF THIS ORDER.

- APPROVED WITH NO EXCEPTIONS
- MANUFACTURE ELEVATOR AS PER DRAWING
- CHANGE AS NOTED, REAPPROVAL REQUIRED
- MAKE CHANGES AS NOTED, SEND CORRECTED DRAWINGS FOR REAPPROVAL BEFORE MANUFACTURE

SIGNATURE: _____ DATE: _____
 CAUTION: ONCE THE DRAWING IS APPROVED, JOB CANCELLATION FEES WILL BE 50% OF JOB PRICING

0	FOR APPROVAL	F.I.B.	DATE
REV.	DESCRIPTION	BY	DATE
CUSTOMER :			
PROJECT :			
DATE :			
PROJECTION		TOLERANCES IF NOT SPECIFIED	
		FRAC: 1/8" [3]	
SCALE:	DRAWN BY:	SERVICES INDUSTRIES SAVARIA INC. MODEL: TELECAR RESIDENTIAL ELEVATOR	
NTS	F:BEAULIEU		
DATE:			
DRAWING #	REV#	PAGE:	TITLE:
0	0	2/4	TYPE III - ELEVATION

DRAWING APPROVAL:
 THIS DRAWING REFLECTS OUR INTERPRETATION OF THE INFORMATION PROVIDED BY THE DEALER ON THE TELECAR ORDER FORM. THIS INFORMATION IS THE DEALER'S RESPONSIBILITY, AND IS THE BASIS FROM WHICH THE TELECAR ELEVATOR IS DESIGNED AND MANUFACTURED. PLEASE INDICATE THE REQUESTED ACTION BY CHECKING ONE OF THE FOLLOWING BOXES AND SIGNING BELOW TO AUTHORIZE COMPLETION OF THIS ORDER.

APPROVED WITH NO EXCEPTIONS
 MANUFACTURE ELEVATOR AS PER DRAWING

CHANGE AS NOTED, REAPPROVAL REQUIRED
 MAKE CHANGES AS NOTED, SEND CORRECTED DRAWING FOR REAPPROVAL BEFORE MANUFACTURE

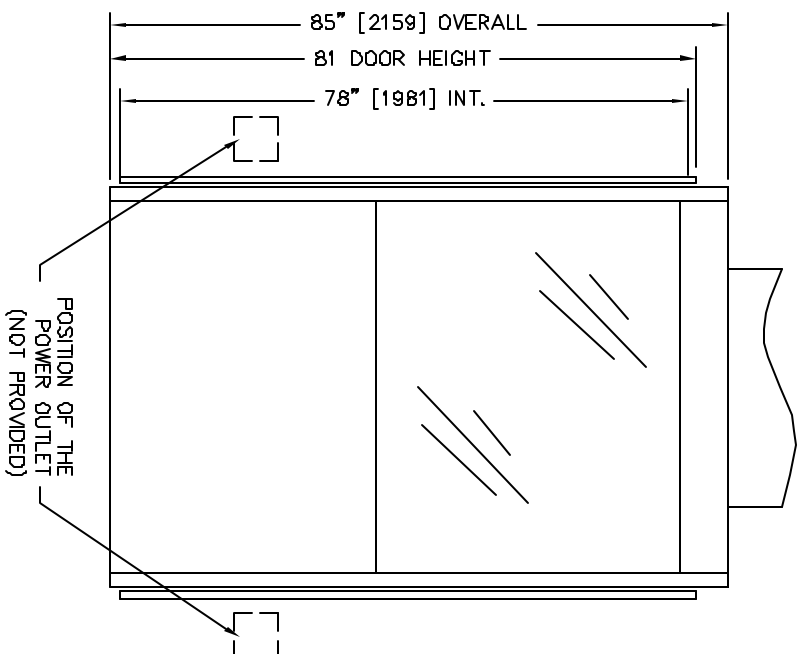
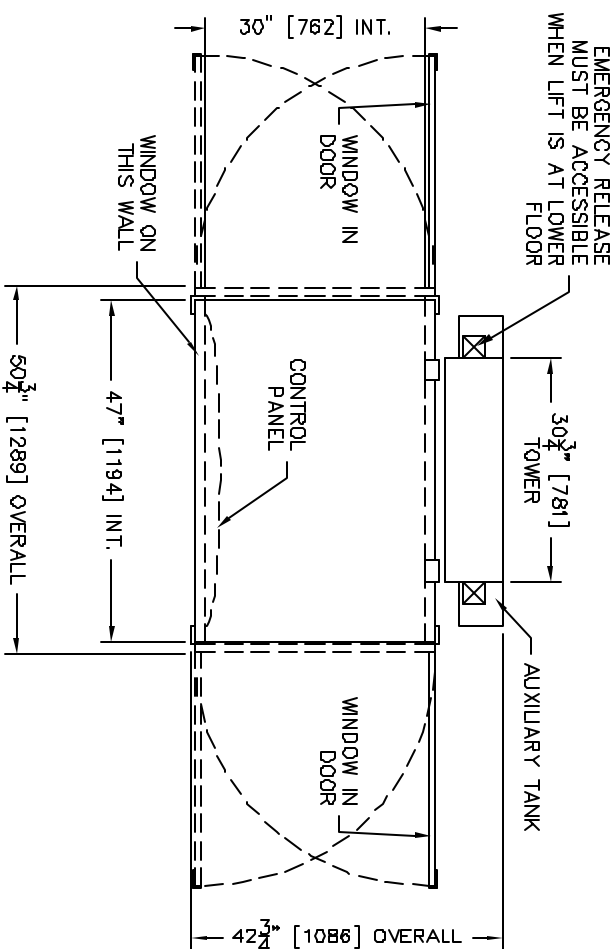
SIGNATURE: _____ DATE: _____
 CAUTION: ONCE THE DRAWING IS APPROVED, JOB CANCELLATION FEES WILL BE 50% OF JOB PRICING

PROVIDED BY OTHERS

- 1) POWER SUPPLY: DEDICATED CIRCUIT, 120 VAC, 20 AMPS, SINGLE PHASE
- 2) CONSTRUCTION SITE: LOAD BEARING WALL AND FLOOR CUT OUT NEEDS TO SUPPORT THE LOADS SHOWN ON THE DRAWINGS. THE SOLIDITY OF THE CONSTRUCTION IS NOT THE RESPONSIBILITY OF SAVARIA INC. LOAD BEARING WALL TO INCLUDE TWO SETS OF THREE 2" X 4" WOOD STUDS 24" APART AS SHOWN ON THE FLOOR CUT-OUT DRAWING
- 3) DIMENSIONS: CONTRACTOR/CUSTOMER TO VERIFY ALL DIMENSIONS AND REPORT ANY DISCREPANCIES TO OUR OFFICE IMMEDIATELY.
- 4) PERMANENT POWER: BEFORE INSTALLATION CAN BEGIN, PERMANENT POWER MUST BE SUPPLIED.
- 5) A PHONE LINE TO CONNECT THE CAB PHONE

SAFETY FEATURES

- 1) ELECTRO-MECHANICAL DOOR LOCK AND OPEN DOOR SENSOR
- 2) UNDER PANEL SAFETY SENSOR
- 3) EMERGENCY STOP AND ALARM
- 4) EMERGENCY BATTERY LOWERING
- 5) EMERGENCY LOWERING
- 6) FULLY ENCLOSED DRIVE TOWER
- 7) PRESSURE RELIEF VALVE TO PREVENT PLATFORM OVERLOAD
- 8) SLACK CHAIN SAFETY DEVICE
- 9) TELEPHONE IN CAB
- 10) HALOGEN LIGHT IN CAB

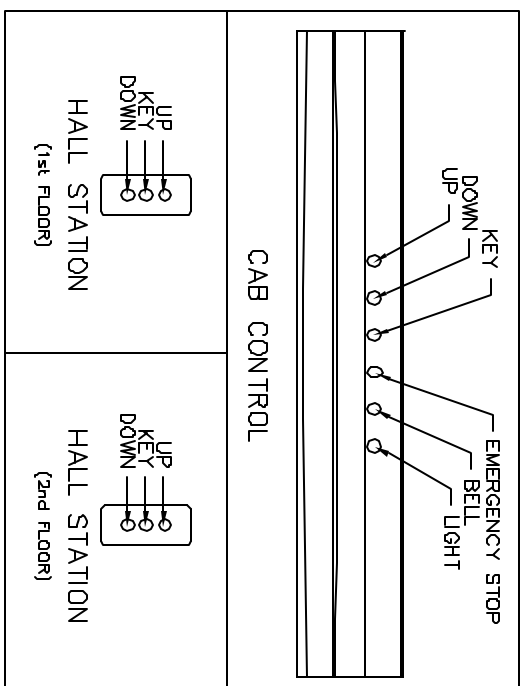
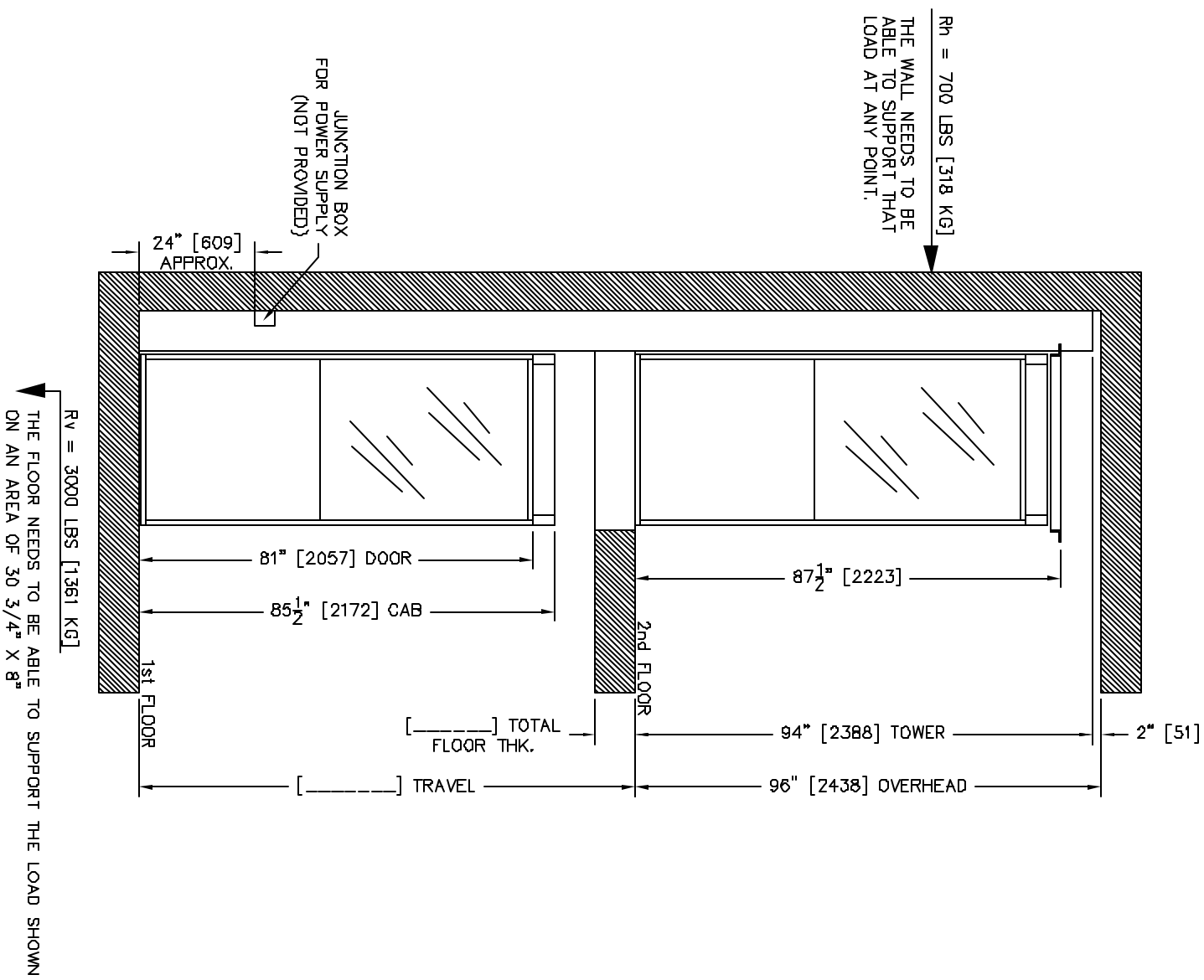


CLASSIFICATION	RESIDENTIAL BUILDING
TELECAR TYPE	TYPE III, TRADITIONAL
TELECAR USABLE DIM.	30" x 47" x 78"
TELECAR CAPACITY	500 LBS [227 KG]
COLOR (URETHANE FINISH)	<input type="checkbox"/> WHITE <input type="checkbox"/> BEIGE
PLEXIGLASS TINT	<input type="checkbox"/> BRONZE <input type="checkbox"/> CLEAR
RATED SPEED	<input type="checkbox"/> 25 FT/MIN <input type="checkbox"/> 14 FT/MIN
LEVEL SERVED	<input type="checkbox"/> 2 LEVELS <input type="checkbox"/> 3 LEVELS
NUMBER OF OPENING(S)	<input type="checkbox"/> 1 OPENING <input type="checkbox"/> 2 OPENINGS
DRIVE SYSTEM	1 TO 2 CHAIN HYDRAULIC
CAB DOOR OPERATION	<input type="checkbox"/> MANUAL <input type="checkbox"/> HYDRAULIC DOOR CLOSER
	<input type="checkbox"/> POWER OPERATED
PLUNGER DIAMETER	<input type="checkbox"/> 1 1/2" <input type="checkbox"/> 2"
PLUNGER WALL THK.	FULL
CASING DIAMETER	<input type="checkbox"/> 2" <input type="checkbox"/> 2 1/2"
CASING WALL THK.	1/8"
CYLINDER CLOSE LENGTH	2125 LBS [964 KG]
WEIGHT/PLUNGER	2000 PSI
SYSTEM MAX. PRESSURE	<input type="checkbox"/> 1.25 GAL/US <input type="checkbox"/> 3.00 GAL/US
OIL CAPACITY	<input type="checkbox"/> 1.5 HP, 115 V
MOTOR	450, QTY: 2
CHAIN	RELAY LOGIC
CONTROLLER	
POWER OPERATION	<input type="checkbox"/> 110 VAC + 12 VDC DOWN STD <input type="checkbox"/> 12 VDC UP + DOWN <input type="checkbox"/> 220 VAC/50 HZ
OPERATION	<input type="checkbox"/> CONSTANT PRESSURE, ANTI-CREEP FEATURE
HALL STATION	<input type="checkbox"/> SURFACE MOUNTED <input type="checkbox"/> RECESS MOUNTED
BEARING WALL	<input type="checkbox"/> WOOD <input type="checkbox"/> CONCRETE
	OTHER : _____
FLOOR PLUG	<input type="checkbox"/> REQUIRED <input type="checkbox"/> NOT REQUIRED
UNDER PAN	<input type="checkbox"/> REQUIRED <input type="checkbox"/> NOT REQUIRED

0	FOR APPROVAL	F.B.	
REV.	DESCRIPTION	BY	DATE
CUSTOMER :			
PROJECT :			
DATE :			
PROJECTION	TOLERANCES IF NOT SPECIFIED		
	FRAC: ±1/8" [3]		
SCALE:	DRAWN BY:	SERVICES INDUSTRIES SAVARIA INC.	
NTS	F:BEAULIEU	MODEL: TELECAR RESIDENTIAL ELEVATOR	
DATE:		TITLE: TYPE III - PLAN VIEW	
DRAWING #	REV#	PAGE:	
0	1/4		

TRADITIONAL TELECAR

TRADITIONAL TELECAB



DRAWING APPROVAL:
 THIS DRAWING REFLECTS OUR INTERPRETATION OF THE INFORMATION PROVIDED BY THE DEALER ON THE TELECAR ORDER FORM. THIS INFORMATION IS THE DEALER'S RESPONSIBILITY, AND IS THE BASIS FROM WHICH THE TELECAR ELEVATOR IS DESIGNED AND MANUFACTURED. PLEASE INDICATE THE REQUESTED ACTION BY CHECKING ONE OF THE FOLLOWING BOXES AND SIGNING BELOW TO AUTHORIZE COMPLETION OF THIS ORDER.

- APPROVED WITH NO EXCEPTIONS
- MANUFACTURE ELEVATOR AS PER DRAWING
- CHANGE AS NOTED, REAPPROVAL REQUIRED
- MAKE CHANGES AS NOTED, SEND CORRECTED DRAWINGS FOR REAPPROVAL BEFORE MANUFACTURE

SIGNATURE: _____ DATE: _____
 CAUTION: ONCE THE DRAWING IS APPROVED, JOB CANCELLATION FEES WILL BE 50% OF JOB PRICING

0	FOR APPROVAL	F.I.B.	DATE
REV.	DESCRIPTION	BY	DATE
CUSTOMER :			
PROJECT :			
DATE :			
PROJECTION		TOLERANCES IF NOT SPECIFIED	
		FRAC: 1/8" [3]	
SCALE:	DRAWN BY:	SERVICES INDUSTRIES SAVARIA INC. MODEL: TELECAR RESIDENTIAL ELEVATOR	
NTS	F:BEAULIEU		
DATE:			
DRAWING #	REV#	PAGE:	TITLE:
0	0	2/4	TYPE III - ELEVATION

DRAWING APPROVAL:

THIS DRAWING REFLECTS OUR INTERPRETATION OF THE INFORMATION PROVIDED BY THE DEALER ON THE TELECAB ORDER FORM. THIS INFORMATION IS THE DEALER'S RESPONSIBILITY, AND IS THE BASIS FROM WHICH THE TELECAB ELEVATOR IS DESIGNED AND MANUFACTURED. PLEASE INDICATE THE REQUESTED ACTION BY CHECKING ONE OF THE FOLLOWING BOXES AND SIGNING BELOW TO AUTHORIZE COMPLETION OF THIS ORDER.

APPROVED WITH NO EXCEPTIONS
MANUFACTURE ELEVATOR AS PER DRAWING

CHANGE AS NOTED, REAPPROVAL REQUIRED
MAKE CHANGES AS NOTED, SEND CORRECTED DRAWING FOR REAPPROVAL BEFORE MANUFACTURE

SIGNATURE: _____ DATE: _____

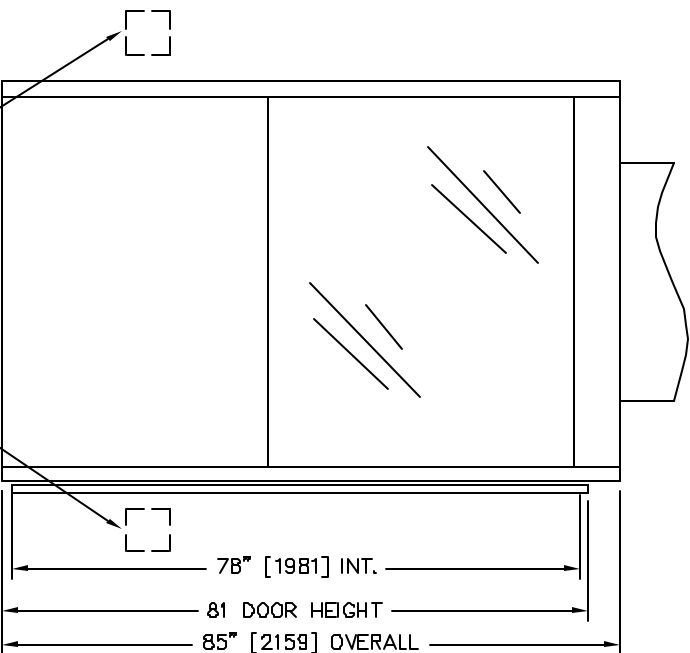
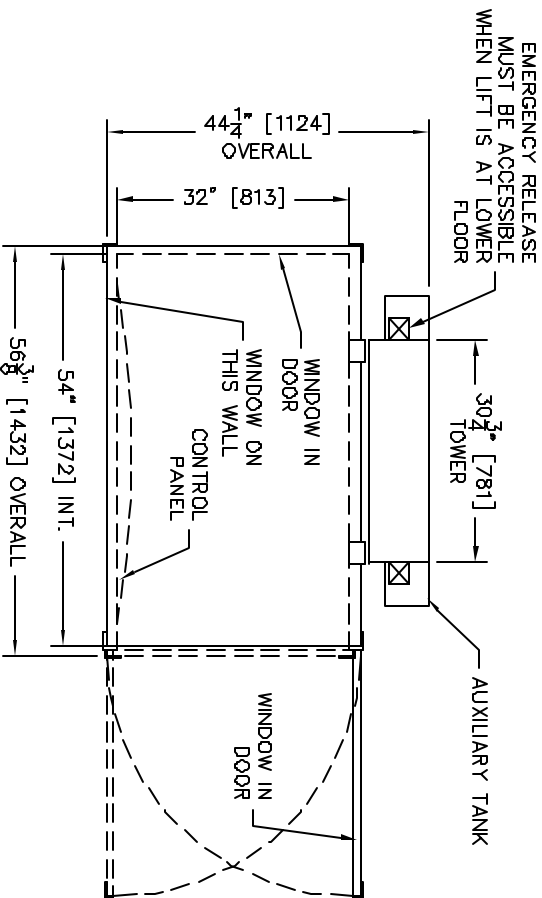
CAUTION: ONCE THE DRAWING IS APPROVED, JOB CANCELLATION FEES WILL BE 50% OF JOB PRICING

PROVIDED BY OTHERS

- 1) POWER SUPPLY: DEDICATED CIRCUIT, 120 VAC, 20 AMPS, SINGLE PHASE
- 2) CONSTRUCTION SITE: LOAD BEARING WALL AND FLOOR CUT OUT NEEDS TO SUPPORT THE LOADS SHOWN ON THE DRAWINGS. THE SOLIDITY OF THE CONSTRUCTION IS NOT THE RESPONSIBILITY OF SAVARIA INC. LOAD BEARING WALL TO INCLUDE TWO SETS OF THREE 2" X 4" WOOD STUDS 24" APART AS SHOWN ON THE FLOOR CUT-OUT DRAWING
- 3) DIMENSIONS: CONTRACTOR/CUSTOMER TO VERIFY ALL DIMENSIONS AND REPORT ANY DISCREPANCIES TO OUR OFFICE IMMEDIATELY.
- 4) PERMANENT POWER: BEFORE INSTALLATION CAN BEGIN, PERMANENT POWER MUST BE SUPPLIED.
- 5) A PHONE LINE TO CONNECT THE CAB PHONE

SAFETY FEATURES

- 1) ELECTRO-MECHANICAL DOOR LOCK AND OPEN DOOR SENSOR
- 2) UNDER PANEL SAFETY SENSOR
- 3) EMERGENCY STOP AND ALARM
- 4) EMERGENCY BATTERY LOWERING
- 5) EMERGENCY LOWERING
- 6) FULLY ENCLOSED DRIVE TOWER
- 7) PRESSURE RELIEF VALVE TO PREVENT PLATFORM OVERLOAD
- 8) SLACK CHAIN SAFETY DEVICE
- 9) TELEPHONE IN CAB
- 10) HALOGEN LIGHT IN CAB

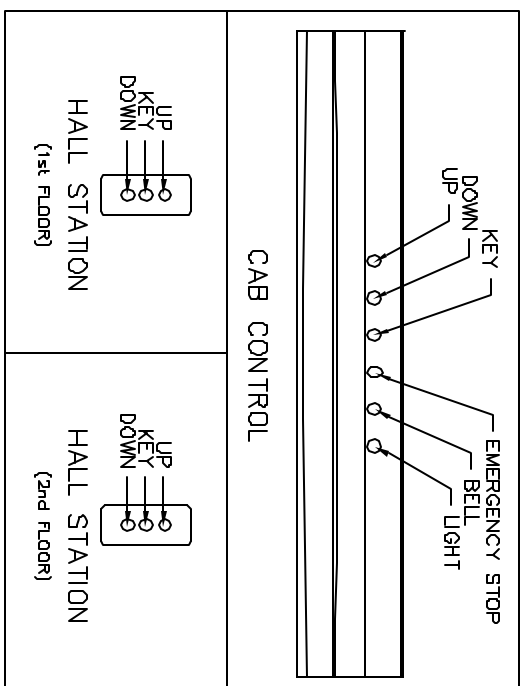
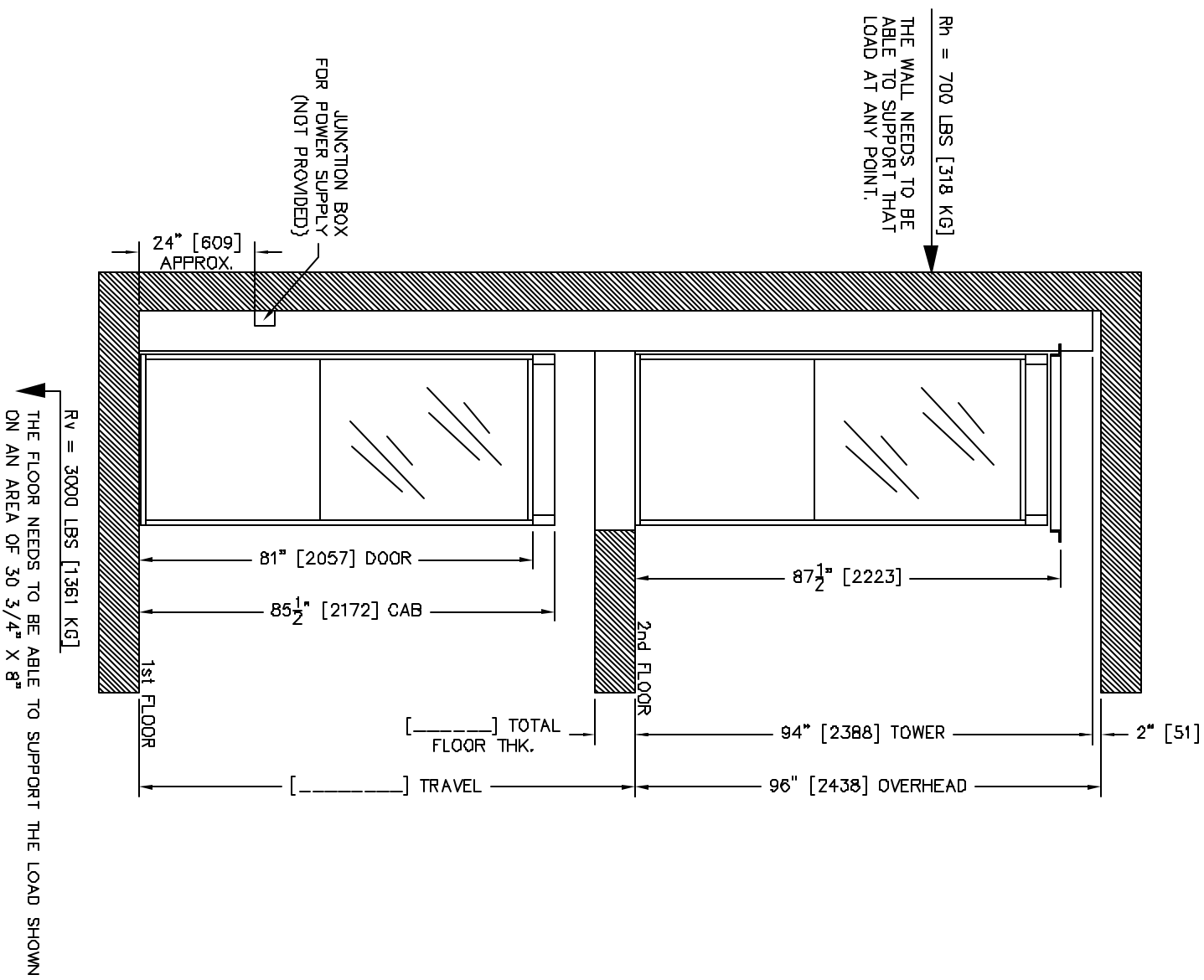


TRADITIONAL TELECAB

CLASSIFICATION	RESIDENTIAL BUILDING
TELECAB TYPE	TYPE IV, TRADITIONAL
TELECAB USABLE DIM.	32" x 54" x 78"
TELECAB CAPACITY	500 LBS [227 KG]
COLOR (URETHANE FINISH)	<input type="checkbox"/> WHITE <input type="checkbox"/> BEIGE <input type="checkbox"/> CLEAR
PLEXIGLASS TINT	<input type="checkbox"/> BRONZE <input type="checkbox"/> CLEAR
RATED SPEED	<input type="checkbox"/> 25 FT/MIN <input type="checkbox"/> 14 FT/MIN
LEVEL SERVED	<input type="checkbox"/> 2 LEVELS <input type="checkbox"/> 3 LEVELS
NUMBER OF OPENING(S)	<input type="checkbox"/> 1 OPENING <input type="checkbox"/> 2 OPENINGS
DRIVE SYSTEM	1 TO 2 CHAIN HYDRAULIC
CAB DOOR OPERATION	<input type="checkbox"/> MANUAL <input type="checkbox"/> HYDRAULIC DOOR CLOSER <input type="checkbox"/> POWER OPERATED
PLUNGER DIAMETER	<input type="checkbox"/> 1 1/2" <input type="checkbox"/> 2"
PLUNGER WALL THK.	FULL <input type="checkbox"/> 2"
CASING DIAMETER	<input type="checkbox"/> 2" <input type="checkbox"/> 2 1/2"
CASING WALL THK.	1/8"
CYLINDER CLOSE LENGTH	2125 LBS [964 KG]
WEIGHT/PLUNGER	2000 PSI
SYSTEM MAX. PRESSURE	<input type="checkbox"/> 1.25 GAL/US <input type="checkbox"/> 3.00 GAL/US
OIL CAPACITY	<input type="checkbox"/> 1.5 HP, 115 V
MOTOR	450, QTY: 2
CHAIN	RELAY LOGIC
CONTROLLER	
POWER OPERATION	<input type="checkbox"/> 110 VAC + 12 VDC DOWN STD <input type="checkbox"/> 12 VDC UP + DOWN <input type="checkbox"/> 220 VAC/50 HZ
OPERATION	<input type="checkbox"/> CONSTANT PRESSURE, ANTI-CREEP FEATURE
HALL STATION	<input type="checkbox"/> SURFACE MOUNTED <input type="checkbox"/> RECESS MOUNTED
BEARING WALL	<input type="checkbox"/> WOOD <input type="checkbox"/> CONCRETE
FLOOR PLUG	<input type="checkbox"/> REQUIRED <input type="checkbox"/> NOT REQUIRED
UNDER PAN	<input type="checkbox"/> REQUIRED <input type="checkbox"/> NOT REQUIRED

0	FOR APPROVAL	F.B.	
REV.	DESCRIPTION	BY	DATE
CUSTOMER :			
PROJECT :			
DATE :			
PROJECTION TOLERANCES IF NOT SPECIFIED FRAC: ±1/8" [3]			
SCALE:	DRAWN BY:	<p>SERVICES INDUSTRIES SAVARIA INC. MODEL: TELECAB RESIDENTIAL ELEVATOR</p>	
NTS	F:BEAULIEU		
DATE:			
DRAWING #	REV#	PAGE:	TITLE:
0	0	1/4	TYPE IV - PLAN VIEW

TRADITIONAL TELECAB



DRAWING APPROVAL:
 THIS DRAWING REFLECTS OUR INTERPRETATION OF THE INFORMATION PROVIDED BY THE DEALER ON THE TELECAB ORDER FORM. THIS INFORMATION IS THE DEALER'S RESPONSIBILITY, AND IS THE BASIS FROM WHICH THE TELECAB ELEVATOR IS DESIGNED AND MANUFACTURED. PLEASE INDICATE THE REQUESTED ACTION BY CHECKING ONE OF THE FOLLOWING BOXES AND SIGNING BELOW TO AUTHORIZE COMPLETION OF THIS ORDER.

APPROVED WITH NO EXCEPTIONS
 MANUFACTURE ELEVATOR AS PER DRAWING

CHANGE AS NOTED, REAPPROVAL REQUIRED
 MAKE CHANGES AS NOTED, SEND CORRECTED DRAWINGS FOR REAPPROVAL BEFORE MANUFACTURE

SIGNATURE: _____ DATE: _____

CAUTION: ONCE THE DRAWING IS APPROVED, JOB CANCELLATION FEES WILL BE 50% OF JOB PRICING

0	FOR APPROVAL	F.I.B.	DATE
REV.	DESCRIPTION	BY	DATE
CUSTOMER :			
PROJECT :			
DATE :			
PROJECTION		TOLERANCES IF NOT SPECIFIED	
		FRAC: 1/8" [3]	
SCALE:	DRAWN BY:	SERVICES INDUSTRIES SAVARIA INC. MODEL: TELECAB RESIDENTIAL ELEVATOR	
NTS	F:BEAULIEU		
DATE:			
DRAWING #	REV#	PAGE:	TITLE:
0	0	2/4	TYPE IV - ELEVATION

DRAWING APPROVAL:

THIS DRAWING REFLECTS OUR INTERPRETATION OF THE INFORMATION PROVIDED BY THE DEALER ON THE TELECAR ORDER FORM. THIS INFORMATION IS THE DEALER'S RESPONSIBILITY, AND IS THE BASIS FROM WHICH THE TELECAR ELEVATOR IS DESIGNED AND MANUFACTURED. PLEASE INDICATE THE REQUESTED ACTION BY CHECKING ONE OF THE FOLLOWING BOXES AND SIGNING BELOW TO AUTHORIZE COMPLETION OF THIS ORDER.

APPROVED WITH NO EXCEPTIONS
MANUFACTURE ELEVATOR AS PER DRAWING

CHANGE AS NOTED, REAPPROVAL REQUIRED
MAKE CHANGES AS NOTED, SEND CORRECTED DRAWING FOR REAPPROVAL BEFORE MANUFACTURE

SIGNATURE: _____ DATE: _____

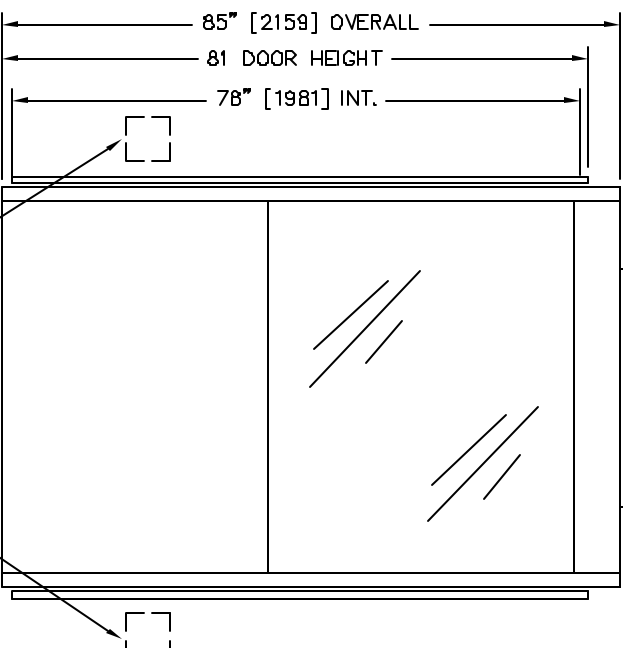
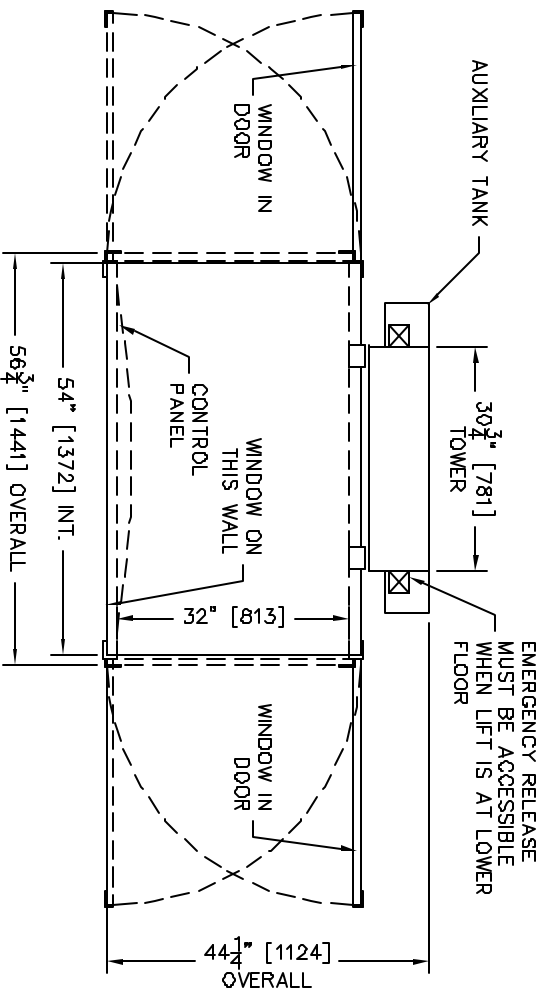
CAUTION: ONCE THE DRAWING IS APPROVED, JOB CANCELLATION FEES WILL BE 50% OF JOB PRICING

PROVIDED BY OTHERS

- 1) POWER SUPPLY: DEDICATED CIRCUIT, 120 VAC, 20 AMPS, SINGLE PHASE
- 2) CONSTRUCTION SITE: LOAD BEARING WALL AND FLOOR CUT OUT NEEDS TO SUPPORT THE LOADS SHOWN ON THE DRAWINGS. THE SOLIDITY OF THE CONSTRUCTION IS NOT THE RESPONSIBILITY OF SAVARIA INC. LOAD BEARING WALL TO INCLUDE TWO SETS OF THREE 2" X 4" WOOD STUDS 24" APART AS SHOWN ON THE FLOOR CUT-OUT DRAWING
- 3) DIMENSIONS: CONTRACTOR/CUSTOMER TO VERIFY ALL DIMENSIONS AND REPORT ANY DISCREPANCIES TO OUR OFFICE IMMEDIATELY.
- 4) PERMANENT POWER: BEFORE INSTALLATION CAN BEGIN, PERMANENT POWER MUST BE SUPPLIED.
- 5) A PHONE LINE TO CONNECT THE CAB PHONE

SAFETY FEATURES

- 1) ELECTRO-MECHANICAL DOOR LOCK AND OPEN DOOR SENSOR
- 2) UNDER PANEL SAFETY SENSOR
- 3) EMERGENCY STOP AND ALARM
- 4) EMERGENCY BATTERY LOWERING
- 5) EMERGENCY LOWERING
- 6) FULLY ENCLOSED DRIVE TOWER
- 7) PRESSURE RELIEF VALVE TO PREVENT PLATFORM OVERLOAD
- 8) SLACK CHAIN SAFETY DEVICE
- 9) TELEPHONE IN CAB
- 10) HALOGEN LIGHT IN CAB



TRADITIONAL TELECAR

CLASSIFICATION RESIDENTIAL BUILDING

TELECAR TYPE TYPE IV, TRADITIONAL

TELECAR USABLE DIM. 32" x 54" x 78"

TELECAR CAPACITY 500 LBS [227 KG]

COLOR (URETHANE FINISH) WHITE BEIGE

BRONZE CLEAR

PAINT SPEED 25 FT/MIN 14 FT/MIN

LEVEL SERVED 2 LEVELS 3 LEVELS

NUMBER OF OPENING(S) 1 OPENING 2 OPENINGS

DRIVE SYSTEM 1 TO 2 CHAIN HYDRAULIC

CAB DOOR OPERATION MANUAL HYDRAULIC DOOR CLOSER

POWER OPERATED

PLUNGER DIAMETER 1 1/2" 2"

PLUNGER WALL THK. FULL 2"

CASING DIAMETER 2" 2 1/2"

CASING WALL THK. 1/8"

CYLINDER CLOSE LENGTH 2125 LBS [964 KG]

WEIGHT/PLUNGER 2000 PSI

SYSTEM MAX. PRESSURE 1.25 GAL/US 3.00 GAL/US

OIL CAPACITY 1.5 HP, 115 V

MOTOR 450, QTY: 2

CHAIN RELAY LOGIC

CONTROLLER

POWER OPERATION 110 VAC + 12 VDC DOWN STD

12 VDC UP + DOWN

220 VAC/50 HZ

OPERATION CONSTANT PRESSURE, ANTI-CREEP FEATURE

HALL STATION SURFACE MOUNTED RECESS MOUNTED

BEARING WALL WOOD CONCRETE

OTHER : _____

FLOOR PLUG REQUIRED NOT REQUIRED

UNDER PAN REQUIRED NOT REQUIRED

0	FOR APPROVAL	F.B.	
REV.	DESCRIPTION	BY	DATE

CUSTOMER :

PROJECT :

DATE :

PROJECTION TOLERANCES IF NOT SPECIFIED
FRAC: ±1/8" [3]

SCALE: DRAWN BY: F.BEAULIEU

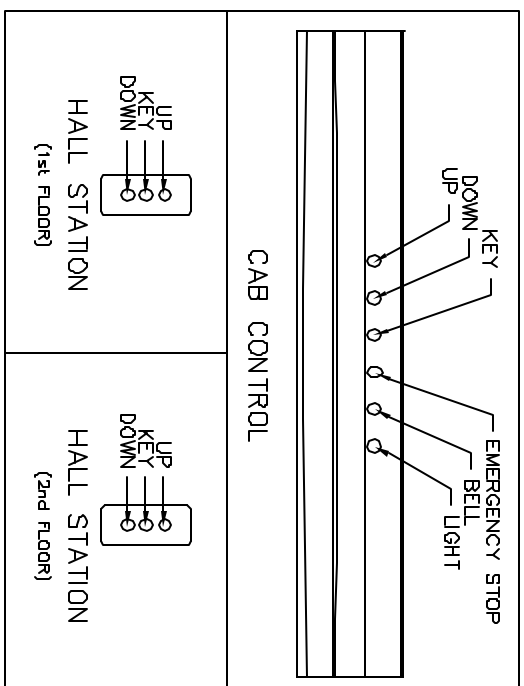
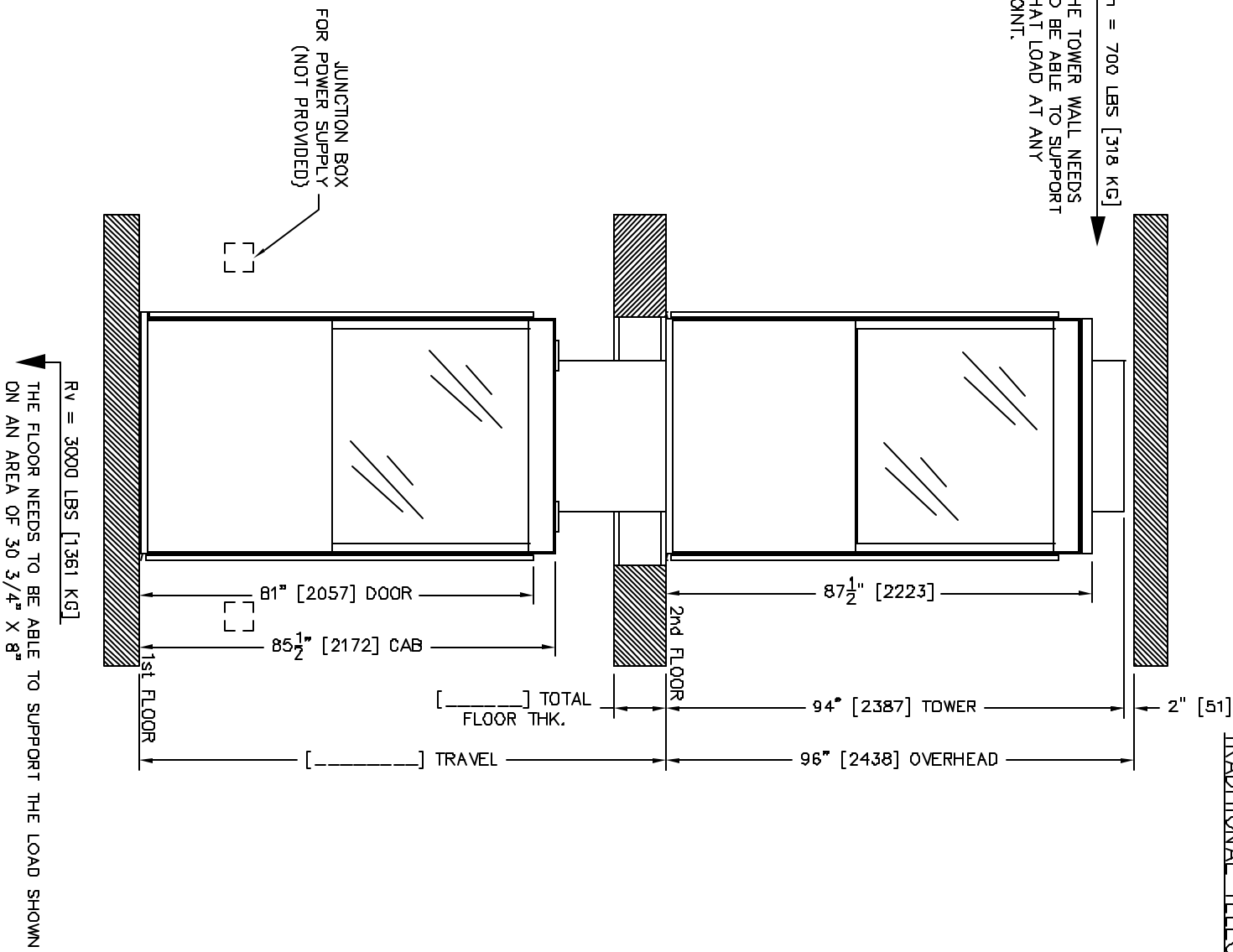
NTS DATE: MODEL: TELECAR RESIDENTIAL ELEVATOR

SERVICES INDUSTRIES SAVARIA INC.

DRAWING # 0 REV# PAGE: 1/4 TITLE: TYPE IV - PLAN VIEW

TRADITIONAL TELECAB

Rh = 700 LBS [318 KG]
 THE TOWER WALL NEEDS TO BE ABLE TO SUPPORT THAT LOAD AT ANY POINT.



DRAWING APPROVAL:

THIS DRAWING REFLECTS OUR INTERPRETATION OF THE INFORMATION PROVIDED BY THE DEALER ON THE TELECAR ORDER FORM. THIS INFORMATION IS THE DEALER'S RESPONSIBILITY, AND IS THE BASIS FROM WHICH THE TELECAR ELEVATOR IS DESIGNED AND MANUFACTURED. PLEASE INDICATE THE REQUESTED ACTION BY CHECKING ONE OF THE FOLLOWING BOXES AND SIGNING BELOW TO AUTHORIZE COMPLETION OF THIS ORDER.

- APPROVED WITH NO EXCEPTIONS
- MANUFACTURE ELEVATOR AS PER DRAWING
- CHANGE AS NOTED, REAPPROVAL REQUIRED
- MAKE CHANGES AS NOTED, SEND CORRECTED DRAWINGS FOR REAPPROVAL BEFORE MANUFACTURE

SIGNATURE: _____ DATE: _____
 CAUTION: ONCE THE DRAWING IS APPROVED, JOB CANCELLATION FEES WILL BE 50% OF JOB PRICING

0	FOR APPROVAL	F.L.B.	DATE
REV.	DESCRIPTION	BY	DATE
CUSTOMER :			
PROJECT :			
DATE :			
PROJECTION		TOLERANCES IF NOT SPECIFIED	
		FRAC: 1/8" [3]	
SCALE:	DRAWN BY:	SERVICES INDUSTRIES SAVARIA INC. MODEL: TELECAR RESIDENTIAL ELEVATOR	
NTS	F:BEAULIEU		
DATE:			
DRAWING #	REV#	PAGE:	TITLE:
0	2/4		TYPE IV - ELEVATION

DRAWING APPROVAL:

THIS DRAWING REFLECTS OUR INTERPRETATION OF THE INFORMATION PROVIDED BY THE DEALER ON THE TELECAR ORDER FORM. THIS INFORMATION IS THE DEALER'S RESPONSIBILITY, AND IS THE BASIS FROM WHICH THE TELECAR ELEVATOR IS DESIGNED AND MANUFACTURED. PLEASE INDICATE THE REQUESTED ACTION BY CHECKING ONE OF THE FOLLOWING BOXES AND SIGNING BELOW TO AUTHORIZE COMPLETION OF THIS ORDER.

APPROVED WITH NO EXCEPTIONS
MANUFACTURE ELEVATOR AS PER DRAWING

CHANGE AS NOTED, SEND CORRECTED DRAWING FOR REAPPROVAL BEFORE MANUFACTURE

SIGNATURE: _____ DATE: _____

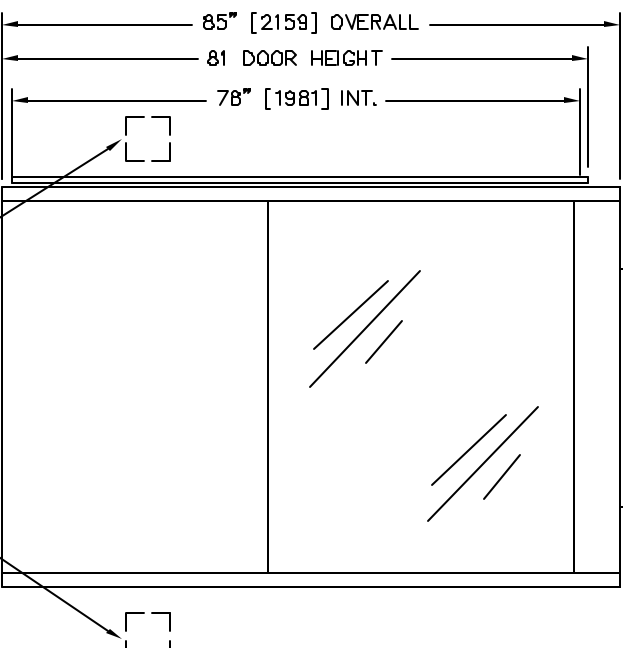
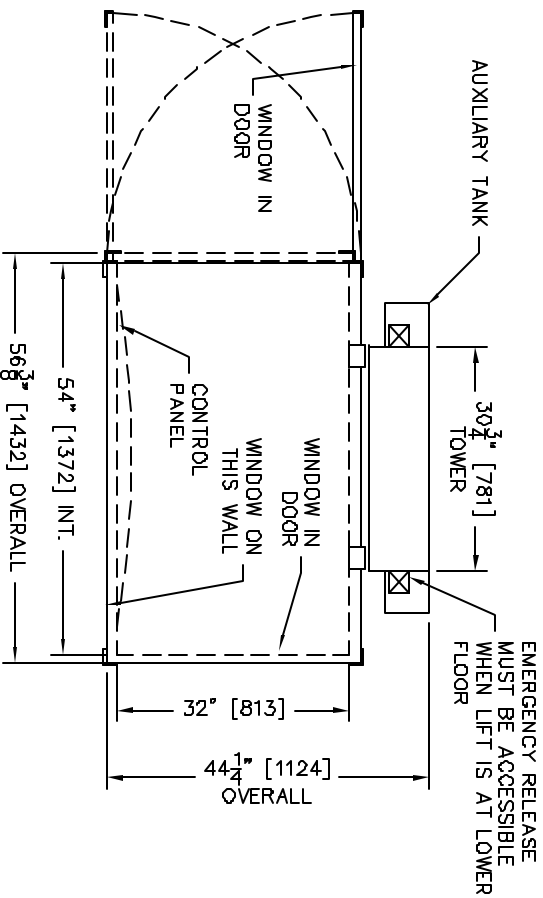
CAUTION: ONCE THE DRAWING IS APPROVED, JOB CANCELLATION FEES WILL BE 50% OF JOB PRICING

PROVIDED BY OTHERS

- 1) POWER SUPPLY: DEDICATED CIRCUIT, 120 VAC, 20 AMPS, SINGLE PHASE
- 2) CONSTRUCTION SITE: LOAD BEARING WALL AND FLOOR CUT OUT NEEDS TO SUPPORT THE LOADS SHOWN ON THE DRAWINGS. THE SOLIDITY OF THE CONSTRUCTION IS NOT THE RESPONSIBILITY OF SAVARIA INC. LOAD BEARING WALL TO INCLUDE TWO SETS OF THREE 2" X 4" WOOD STUDS 24" APART AS SHOWN ON THE FLOOR CUT-OUT DRAWING
- 3) DIMENSIONS: CON TRACTOR/CUSTOMER TO VERIFY ALL DIMENSIONS AND REPORT ANY DISCREPANCIES TO OUR OFFICE IMMEDIATELY.
- 4) PERMANENT POWER BEFORE INSTALLATION CAN BEGIN. PERMANENT POWER MUST BE SUPPLIED.
- 5) A PHONE LINE TO CONNECT THE CAB PHONE

SAFETY FEATURES

- 1) ELECTRO-MECHANICAL DOOR LOCK AND OPEN DOOR SENSOR
- 2) UNDER PANEL SAFETY SENSOR
- 3) EMERGENCY STOP AND ALARM
- 4) EMERGENCY BATTERY LOWERING
- 5) EMERGENCY LOWERING
- 6) FULLY ENCLOSED DRIVE TOWER
- 7) PRESSURE RELIEF VALVE TO PREVENT PLATFORM OVERLOAD
- 8) SLACK CHAIN SAFETY DEVICE
- 9) TELEPHONE IN CAB
- 10) HALOGEN LIGHT IN CAB



TRADITIONAL TELECAR

CLASSIFICATION RESIDENTIAL BUILDING

TELECAR TYPE TYPE IV, TRADITIONAL

TELECAR USABLE DIM. 32" x 54" x 78"

TELECAR CAPACITY 500 LBS [227 KG]

COLOR (URETHANE FINISH) WHITE BEIGE

BRONZE CLEAR

RAVED SPEED 25 FT/MIN 14 FT/MIN

LEVEL SERVED 2 LEVELS 3 LEVELS

NUMBER OF OPENING(S) 1 OPENING 2 OPENINGS

DRIVE SYSTEM 1 TO 2 CHAIN HYDRAULIC

CAB DOOR OPERATION MANUAL HYDRAULIC DOOR CLOSER

POWER OPERATED

PLUNGER DIAMETER 1 1/2" 2"

PLUNGER WALL THK. FULL 2"

CASING DIAMETER 2" 2 1/2"

CASING WALL THK. 1/8"

CYLINDER CLOSE LENGTH 2125 LBS [964 KG]

WEIGHT/PLUNGER 2000 PSI

SYSTEM MAX. PRESSURE 1.25 GAL/US 3.00 GAL/US

OIL CAPACITY 1.5 HP, 115 V

MOTOR 450, QTY: 2

CHAIN RELAY LOGIC

CONTROLLER

POWER OPERATION 110 VAC + 12 VDC DOWN STD

12 VDC UP + DOWN

220 VAC/50 HZ

OPERATION CONSTANT PRESSURE, ANTI-CREEP FEATURE

HALL STATION SURFACE MOUNTED RECESS MOUNTED

BEARING WALL WOOD CONCRETE

OTHER : _____

FLOOR PLUG REQUIRED NOT REQUIRED

UNDER PAN REQUIRED NOT REQUIRED

0 FOR APPROVAL F.B. BY DATE

REV. DESCRIPTION

CUSTOMER :

PROJECT :

DATE :

PROJECTION TOLERANCES IF NOT SPECIFIED

FRAC: ±1/8" [3]

SCALE: DRAWN BY: F:BEAULIEU

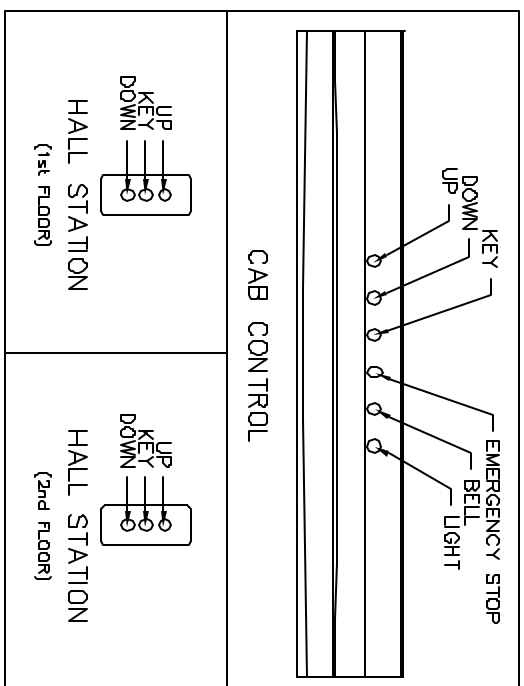
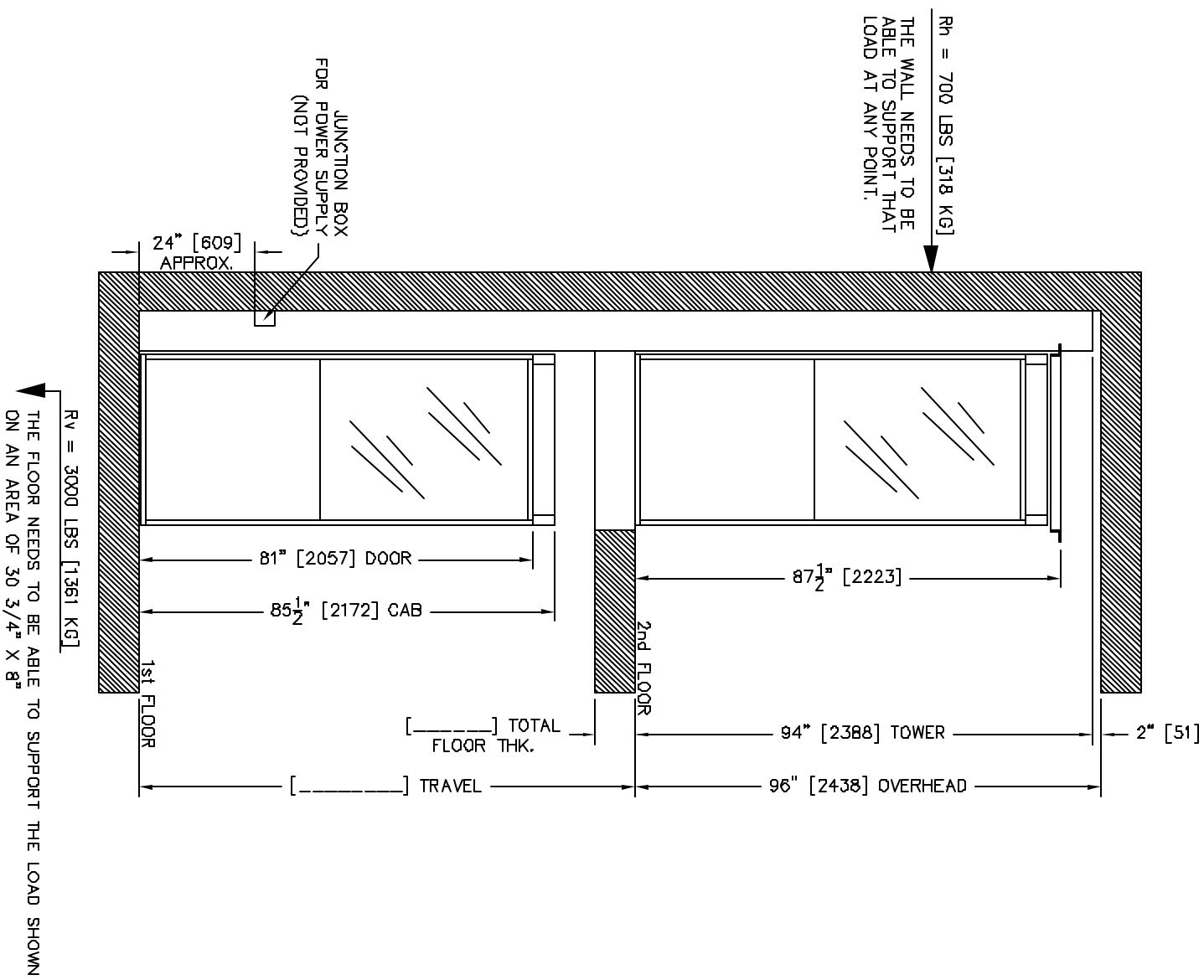
NTS DATE: MODEL: TELECAR RESIDENTIAL ELEVATOR

SERVICES INDUSTRIES SAVARIA INC.

INDUSTRIES SAVARIA INC.

DRAWING # 0 REV# PAGE: 1/4 TITLE: TYPE IV - PLAN VIEW

TRADITIONAL TELECAB



DRAWING APPROVAL:
 THIS DRAWING REFLECTS OUR INTERPRETATION OF THE INFORMATION PROVIDED BY THE DEALER ON THE TELECAR ORDER FORM. THIS INFORMATION IS THE DEALER'S RESPONSIBILITY, AND IS THE BASIS FROM WHICH THE TELECAR ELEVATOR IS DESIGNED AND MANUFACTURED. PLEASE INDICATE THE REQUESTED ACTION BY CHECKING ONE OF THE FOLLOWING BOXES AND SIGNING BELOW TO AUTHORIZE COMPLETION OF THIS ORDER.

- APPROVED WITH NO EXCEPTIONS
- MANUFACTURE ELEVATOR AS PER DRAWING
- CHANGE AS NOTED, REAPPROVAL REQUIRED
- MAKE CHANGES AS NOTED, SEND CORRECTED DRAWINGS FOR REAPPROVAL BEFORE MANUFACTURE

SIGNATURE: _____ DATE: _____
 CAUTION: ONCE THE DRAWING IS APPROVED, JOB CANCELLATION FEES WILL BE 50% OF JOB PRICING

0	FOR APPROVAL	F.B.	DATE
REV.	DESCRIPTION	BY	DATE
CUSTOMER :			
PROJECT :			
DATE :			
PROJECTION		TOLERANCES IF NOT SPECIFIED	
		FRAC: 1/8" [3]	
SCALE:	DRAWN BY:	SERVICES INDUSTRIES SAVARIA INC. MODEL: TELECAR RESIDENTIAL ELEVATOR	
NTS	F:BEAULIEU		
DATE:			
DRAWING #	REV#	PAGE:	TITLE:
0	0	2/4	TYPE IV - ELEVATION