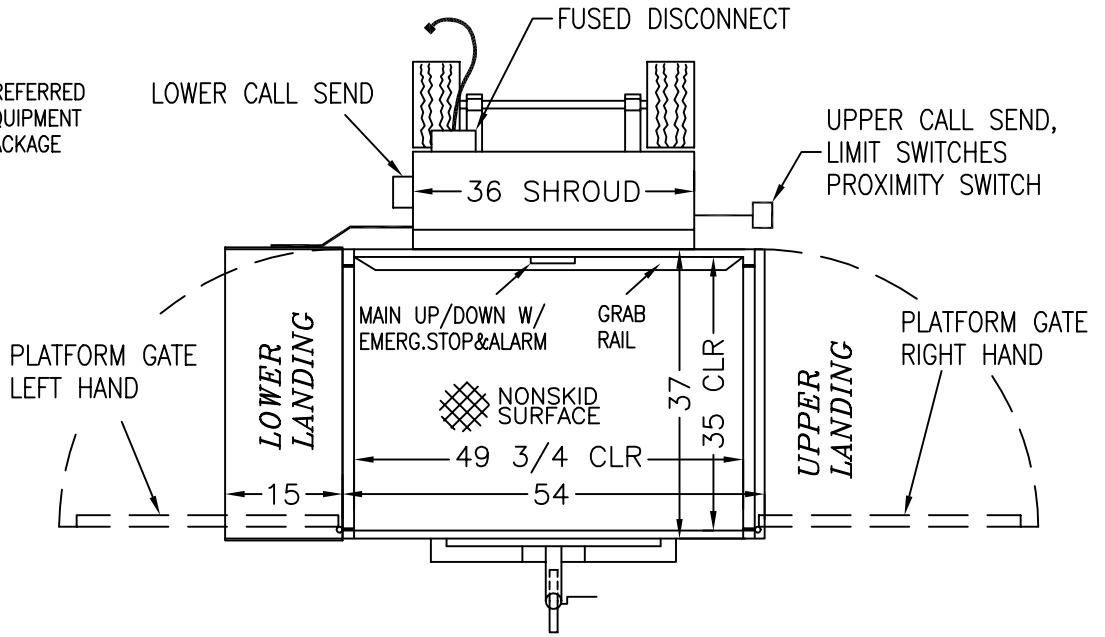


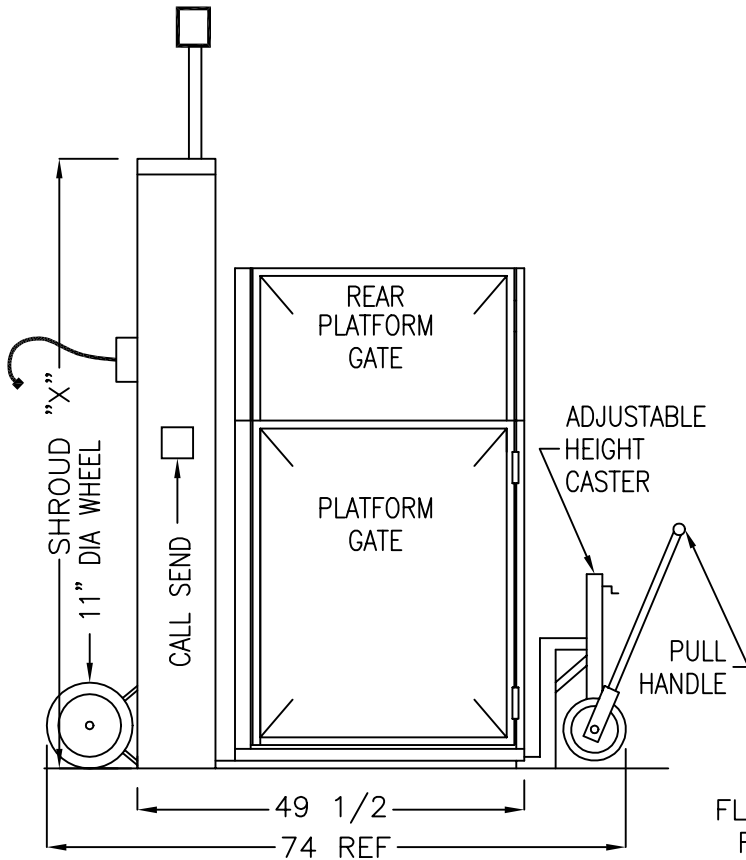
**PORTABLE UNITS**

- BASE UNIT
- PORTABLE PKG (INCL. REM "A" FRAME & 11" WHEELS)
- EMERG.STOP & ALARM
- GRABRAIL
- PLATFORM GATE
- REAR PLATFORM GATE ("Y" MAX +4)
- FUSED DISC. & POWER CORD
- 2 SURFACE CALL SENDS
- MOUNT LOWER CALL TO SHROUD
- MOUNT UPPER CALL
- EXTERNAL ADJ.LIMIT SWITCHES
- UPPER LANDING PROX.SWITCH
- UPPER ELEC.STRIKE REQ'D FOR PLAT.GATE HINGE SHROUD SIDE

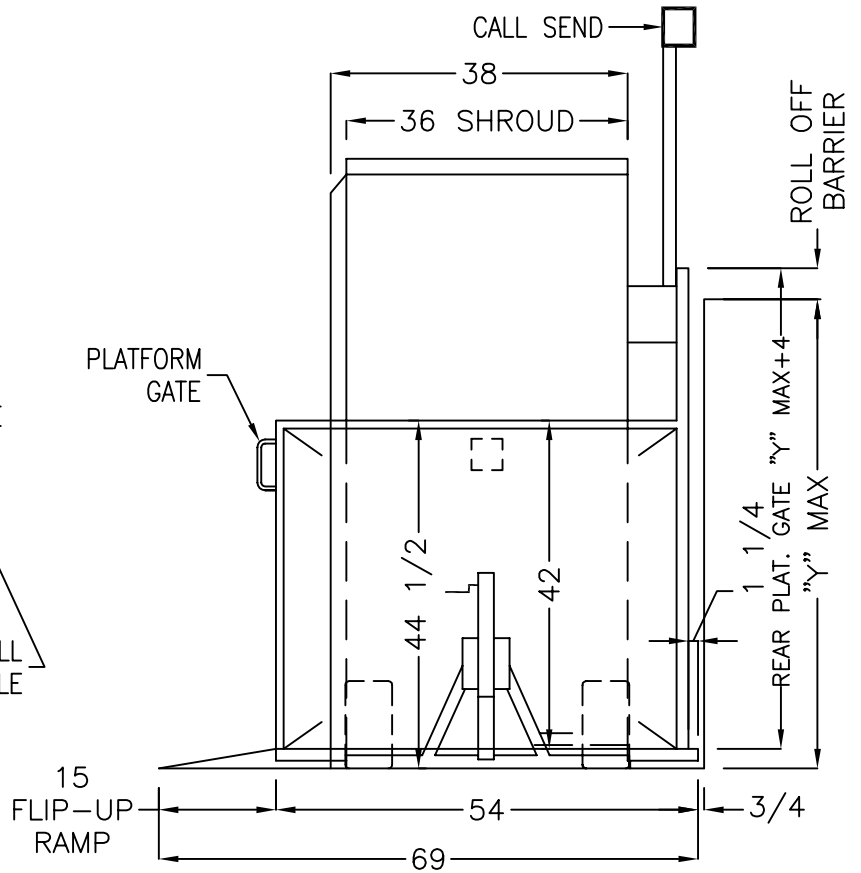
PREFERRED EQUIPMENT PACKAGE



**PLAN VIEW**



**FRONT VIEW**



**SIDE VIEW**

| MODEL  | "X" IN. | "Y" IN. |  | DIMENSIONS SUBJECT TO CHANGE WITHOUT NOTIFICATION. | NATIONAL WHEEL-O-VATOR<br>509 W. FRONT ST.<br>ROANOKE, ILLINOIS 61561<br>1-800-551-9095 |
|--|---------|---------|--|--|---|
| BC-42  | 63      | 45      |  |  | JANUARY 2003  |
| BC-60  | 81      | 63      |  |  | MODEL: BC SHROUD LEFT 3 WHEEL PORTABLE  |
|  |         |         |  |  | DRAWING NUMBER: CC-1240   |
| ALL DIMENSIONS SUBJECT TO STANDARD INDUSTRY TOLERANCES UNLESS OTHERWISE SPECIFIED. |         |         |  |  |   |