

Minivator® home elevator opens up your living space while giving you convenient access.



The Minivator is designed for homes where space is at a premium and larger elevators are not practical. The structural impact on your home is minimal, ensuring the elevator can be installed and ready to use quickly.



Makes the most of your living space. No matter which floor the elevator is on, the opening between floors is attractively concealed. You can safely walk on the floor cover when the elevator is at the lower level.



Open visual space. Ivory finished steel wall panels with acrylic "windows" blend beautifully with virtually any home décor, while enabling passengers to see outside of the cab. The car rides on two steel rails mounted to the wall, and passes through an easily-constructed opening between two floors.

Minivator features

| | |
|---------------------------|--|
| Car size: | 30" x 46" (9.5 ft ²) |
| Rated load: | 450 lbs. |
| Rated speed: | 20 fpm |
| Travel: | 16' maximum |
| Power supply: | 115 VAC, 60 Hz, 20 AMP |
| Motor: | 3/4 hp, 110 VAC, 60 Hz, single phase |
| Drive: | 80:1 reduction helical worm gear |
| Controls: | Constant-pressure push button car and landing control buttons |
| Interior finish: | Walls and Floor – Steel with Ivory powder coat Vision Panels – 1/4" Plexiglass® Lighting – Surface mounted light with on-off switch |
| Safety features: | Electromechanical car door interlock Grab handles on car door Emergency stop button and alarm Slack cable safety device Upper landing hatch cover with safety sensors Upper final limit switch Open door sensor Safety sensor under car |
| Other standard equipment: | Telephone jack Manual lowering device |
| Optional equipment: | Telephone Tan carpet for car interior |

Specifications and/or colors subject to change without notice.



Operating controls

Push-button controls inside the elevator make it easy to operate. It comes equipped with an emergency stop button and you can add a telephone for your convenience. Key locks in the unit and hall stations prevent unauthorized access.

800.829.9760
www.tkaccess.com



ThyssenKrupp Access Corp.
4001 East 138th Street
Grandview, MO 64030

Minivator® and Windsor® Residential elevators



Minivator®



Windsor®

ThyssenKrupp Access

Residential Elevator Division



The Windsor® home elevator fits into the space the size of a closet.

When your lifestyle calls for a home elevator that can work within your existing home structure, turn to ThyssenKrupp Access for the solution.

Versatile and Efficient

Now you can enjoy the look and luxury of a home elevator without the expense and hassle of changing your foundation or space-hogging machine room. The Windsor® and Minivator® home elevators rest on your existing floor and are large enough to comfortably accommodate a wheelchair.

Both models offer stylish appointments, space-saving design, and a smooth, quiet ride. Yet both models are more affordable than you may think. And, the added convenience and flexibility to your home is incalculable.

Worry-free ownership. Both are equipped with all of the safety assurances and convenience features you'd expect from the industry leader. They are engineered to be low-maintenance and smoothly run for years to come. No matter which model you choose, be assured that you're getting the best in quality and innovation.



The Windsor home elevator fits in the space the size of a closet. A hoistway is built to house the elevator, giving it the appearance of traditional elevators. By using standard interior doors, the elevator blends seamlessly with its environment.



Self-contained drive system. The winding drum drive system is contained within the hoistway at the top of the track. Eliminates the need for a machine room which takes up valuable living space.



No pit. The car rests on the floor at the bottom landing, eliminating the need for costly pit construction required on other residential elevators.

Car interior

White walls are standard. Or select optional light oak laminate panels for a rich, warm interior. Optional handrail can also be added for your convenience. Stylish white accordion car gate folds neatly out of the way for a wide entry path.



White



Light oak laminate

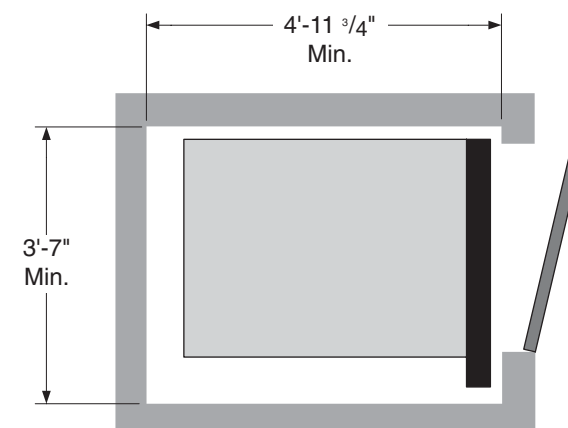


Operating controls are fully automatic. Optional key locks are available in the operating panel and hall station.

Optional recessed telephone box in choice of brushed bronze or stainless steel.

Safety features

Other standard safety features include an emergency stop button and alarm inside the car, a telephone jack which can accommodate a standard household phone, and much more.



Finished hoistway dimensions

Windsor features

| | |
|------------------|---|
| Car size: | 32" x 48" (10.7 ft ²) |
| Rated load: | 500 lbs. (227kg) |
| Rated speed: | 20 fpm (0.1 mps) |
| Travel: | 16' maximum (4.9m) |
| Power supply: | 115 VAC, 60 Hz, 20 AMP |
| Motor: | 3/4 hp, 110 VAC, 60 Hz, single phase |
| Drive: | 80:1 reduction helical worm gear |
| Controls: | Automatic push button car and landing control buttons |
| Interior finish: | Wall panels— White laminate panels Ceiling – White laminate panel Floor – Steel floor with Ivory powder coat Lighting – Surface mounted light with on-off switch |
| Doors: | White accordion car gate Two Access Electric Strike Interlocks provided for hoistway doors (doors by others) |

Other standard equipment:

- Telephone jack
- Manual lowering device
- Final and ultimate limit switches
- Slack rope safety
- Emergency stop button in car with audible alarm
- 31" wide threshold ramp

Optional equipment:

- Handrail
- Recessed telephone cabinet with stainless steel cover
- Light oak laminate car panels
- Key lock on controls

Specifications and/or colors subject to change without notice.